



WHAT'S INSIDE MATTERS™





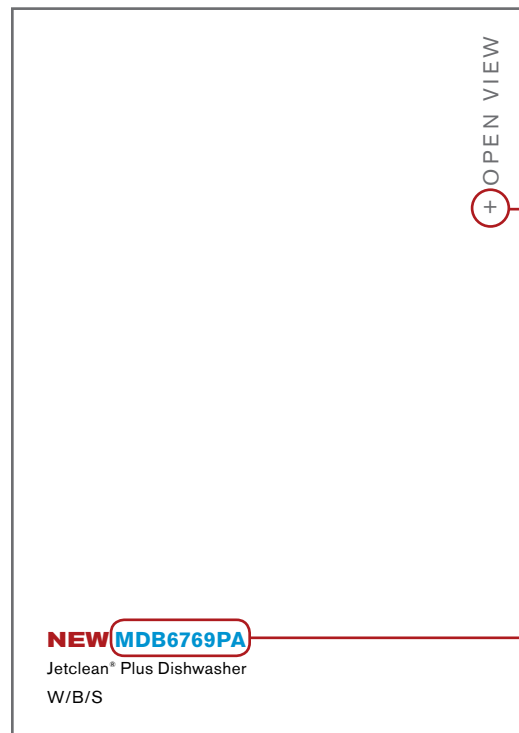
WINTER 2013
INTERACTIVE CATALOG

Interactive catalog guide

For the best experience, view this interactive PDF in Adobe® Reader® 9 or higher.

Document Navigation

Active links throughout the document are blue and will change the cursor icon from  to 



Plus signs indicate interactive elements such as alternate images or video links.

Model number links go to their corresponding dimension charts.

10-year limited parts warranty* on nylon racks, stainless steel tub and 4-blade stainless steel chopper	
Jetclean® Plus wash system	•
ENERGY STAR® qualified	•
Oversize Capacity Plus tall tub	•
Jetclean® Plus Steam cycle	•
Cycles/Options	5/4
Place setting capacity	10
Tub interior	White plasti
Easy-close latch	•
QuietSeries™ sound package	59 dBA
30-Day Quiet Guarantee™	

Feature links go to their glossary description.










Click on videos indicated by the Video tab to play them. A control panel will appear when you move your mouse over the video while it is playing.

Full Screen Mode

To enter Full Screen Mode, select Full Screen Mode under the View menu (or press Ctrl and L on a PC, Command and L on a Mac).

To exit full screen mode, press Esc.

Keyboard Shortcuts

	PC	MAC
	LEFT ARROW	LEFT ARROW
	RIGHT ARROW	RIGHT ARROW
	ALT and LEFT ARROW	COMMAND and LEFT ARROW
	CTRL and -	COMMAND and -
	CTRL and +	COMMAND and +
	CTRL and P	COMMAND and P
	SHIFT and CTRL and F	SHIFT and COMMAND and F

Go back to the last view state
(the previous zoom level or the previous page, whichever was changed last)

Go forward one page
Go back one page

MENU KEY

Go to the Table of Contents

Shrink the page

Magnify the page

Open the print dialogue
(the full catalog will print by default)

Search the document



For over 100 years, you've heard a lot about our drum rollers and drawer gaskets, our belts and hinges—the commercial-grade parts we put inside our appliances. Those parts matter. They make our machines among the most dependable washers, dryers, ranges, refrigerators and dishwashers around.

But we realize you don't serve gaskets at your dinner parties. And that you've probably never fluffed and folded a roller. We know that dependability means something a little more to you than just parts and pieces.

It means having cold champagne to pop when the clock strikes midnight. Having spotless glasses when your friends drop in. And cutting into a perfectly baked cake on your daughter's 10th birthday. It means having all the stuff you depend on clean, cold and cooked—on time, every time.

The way we put our machines together is never going to change. But we understand that the reason you depend on them is not only because of what we put inside them, but also because of what you put inside them.

We get it.

WHAT'S INSIDE MATTERS™



AMERICAN PRIDE

From our backyard to your front door

At the core of every American home are appliances that bring special occasions to life and keep everyday events running smoothly. So when you hear that Maytag brand offers products designed, engineered and assembled in the U.S.A., it means our employees get it. Because when they aren't using appliances, they're creating them.

+ VIDEO PLAYLIST

Amana, Iowa
Manufacturing and technology center

Benton Harbor, Michigan
World headquarters

Cleveland, Tennessee
Manufacturing and technology center

Clyde, Ohio
Manufacturing

Findlay, Ohio
Manufacturing

Greenville, Ohio
Manufacturing

Marion, Ohio
Manufacturing

Ottawa, Ohio
Manufacturing

Tulsa, Oklahoma
Manufacturing



PINNACLE OF DEPENDABILITY

Recreating secret family recipes, keeping superhero blanket capes ready for action and serving holiday dinners on grandma's china. Your family depends on you, and that's why you trust us with the truly important things. We build our appliances with durable parts that stand up to all of life's adventures, and we back them up with our best warranties.

With Maytag brand in your home, you're free to focus on what really counts.

10 YEAR
LIMITED PARTS
WARRANTY

Visit maytag.com for warranty details. Parts vary by model.

Laundry

- 12 Maxima® High-Efficiency Front Load Laundry Pairs
- 18 Performance Series High-Efficiency Front Load Laundry Pairs
- 24 Bravos XL® High-Efficiency Top Load Laundry Pairs
- 30 Bravos X® High-Efficiency Top Load Laundry Pairs
- 36 Centennial® Top Load Laundry Pairs
- 42 Specialty Laundry

Refrigeration

- 46 French Door Refrigerators
- 58 Bottom-Freezer Refrigerators
- 62 Side-by-Side Refrigerators
- 70 Top-Freezer Refrigerators
- 76 Specialty Refrigeration

Dishwashers

- 82 Built-In & Portable, Compactors, Disposers

Freestanding Cooking

- 92 Gemini® Double Oven Ranges
- 100 Freestanding Ranges
- 106 Slide-In Ranges
- 110 Over-the-Range Microwaves

Built-in Cooking

- 118 Wall Ovens
- 126 Cooktops
- 136 Kitchen Ventilation

Accessories

- 140 Laundry Accessories
- 142 Refrigeration Accessories
- 144 Dishwasher Accessories
- 146 Cooking Accessories

Glossary & Specifications

- 148 Feature Glossary
- 154 Product Specifications





Models shown: MHW9000YG & ME/GD9000YG
Shown with 15.5" pedestals, model XHPC155XG

Count on the capacity and cleaning power of Maytag® laundry pairs.

Because your favorite jeans rarely take a holiday



Maxima®
Laundry Pairs
12



Performance Series
Laundry Pairs
18



Bravos XL®
Laundry Pairs
24



Bravos X™
Laundry Pairs
30



Centennial®
Laundry Pairs
36

1

2

3



PowerWash
SYSTEM

NEW PowerWash® system

BEST CLEANING IN THE INDUSTRY*

Your wardrobe is an expression of you. That's why our **Maxima® 9000** and **Bravos XL®** washers come fully equipped with the PowerWash® system to make sure you have the best cleaning in the industry* at your side, load after load.

1

PowerSpray technology
evenly distributes a mixture of detergent and water directly onto clothes to instantly start cleaning soils and stains.

2

Optimal dispensing
supplies the perfect mix of detergent and water exactly when it's needed for better performance. The Maxima® 9000 washer even holds up to 12 loads of detergent.**

3

PowerWash® cycle
combines extra cleaning action and a thorough rinse to drive out tough stains and deliver the best cleaning in the industry.* Select models feature a built-in water heater for enhanced stain removal.

Models shown: MHW9000YG & MVWB950YG. Maxima® washer shown with 15.5" pedestal, model XHPC155XG. *Among leading competitive brand front and top load washers; comparable cycles and settings. **Based on 2X concentration of HE detergent.



Maxima®

High-Efficiency Front Load Laundry Pairs

Models shown: MHW9000YG & ME/G9000YG
Shown with 15.5" pedestals, model XHPC155XG



Best Cleaning in the Industry*

Enabled by the PowerWash® cycle, all Maxima® washers provide the best cleaning in the industry.† Extra cleaning action, increased wash temperature and a thorough rinse work together to power out your toughest stains—including ground-in dirt from life's less graceful moments.



Fresh Hold® Option

Wash and dry a small load of clothes right in the washer** with this innovative feature. It can run for up to 16 hours, so you can finally do laundry on your own time. And the built-in fan, part of Dynamic Venting Technology,† can be turned on independently to dry out the washer between loads.



High-Efficiency Dryer

With Advanced Moisture Sensing, Maytag® high-efficiency dryers use less energy by stopping the cycle when your clothes are dry instead of waiting for a timed setting to finish. Plus, you don't run the risk of overdrying your clothes.



10-Year Limited Parts Warranty†

All new Maxima® washers include a 10-year limited parts warranty on the washer motor and the stainless steel wash basket.† Because these two important parts are covered, you won't have to worry about stocking up on quarters for the laundromat.



SoundGuard® Stainless Steel Dryer Drum

This advanced dryer drum comes layered with stainless steel and unique sound-dampening material. It will make you forget all about the noisy days of tumbling metal buttons and zippers.



NOTE: Not all features are available on all models.
*Among leading competitive brand front load washers; comparable cycles and settings. **Based on testing of a 3-lb load of lightweight fabric for 16 hours. †Visit maytag.com for warranty details.



MHW6000X
4.3 cu. ft. capacity
W/R/G



MHW7000X
4.3 cu. ft. capacity
W/R/G



MHW9000Y
4.3 cu. ft. capacity
W/G



MODELS	MHW6000X	MHW7000X	MHW9000Y
Capacity (cu. ft.)	4.3	4.3	4.3
10-year limited parts warranty* on motor and wash basket	•	•	•
PowerWash® system			•
Optimal Dose dispenser			•
PowerSpray technology			•
PowerWash® cycle	•	•	•
Fresh Hold® option with Dynamic Venting Technology®	16-hour	16-hour	16-hour
Interactive LCD display			•
Cycles/Options	11/6	12/8	31/7
EFFICIENCY			
ENERGY STAR® qualified	•	•	•
Meets CEE Tier standards**	Tier 3	Tier 3	Tier 3
Water use†	81% less	81% less	82% less
Energy use†	79% less	79% less	82% less
ADDITIONAL CYCLES			
Bedding		•	•
Allergen	•	•	•
Clean Washer with affresh® Washer Cleaner	•	•	•
Wrinkle Control	•	•	•
Small Load	•	•	•
Specialty			•
ADDITIONAL OPTIONS			
Max Extract™ extended spin		•	•
Stain Clean	•		
Steam for Stains		•	•
Oxi Boost		•	•
Delay Start	8-hour	10-hour	16-hour
Extra Rinse	•	•	•
ADDITIONAL FEATURES			
Advanced Vibration Control™ Plus	•	•	•
NSF Certified Sanitize temperature setting		with steam	with steam
Temperature settings/soil levels	5/4	5/4	6/4
IntelliTemp™ automatic temperature control	•	•	•
IntelliFill™ automatic water level sensor	•	•	•
Spin speed	up to 1,400 RPM	up to 1,400 RPM	up to 1,400 RPM
Timed release dispenser system	4-tray	5-tray	up to 12 loads
Interior LED drum light		•	•
Variable speed direct drive motor	•	•	•
1,000-watt water heater	•	•	•
Estimated time remaining display	•	•	LCD
Tilted stainless steel wash basket	•	•	•
Durable glass window	•	•	•
ACCESSORIES			
Optimal Dose dispenser replacement cartridge			W10250743A
Pedestal / Pedestal with chrome accents	XHP1550W/R/G / XHPC155XW/R/G	XHP1550W/R/G / XHPC155XW/R/G	XHP1550W/G / XHPC155XW/G
Fill hose included	•	•	•
MAYTAG® COMMERCIAL TECHNOLOGY			
Zinc-coated, rust-resistant springs	•	•	•
Nickel-plated, rust-resistant dampers	•	•	•
Durable pump impeller	•	•	•
SPECIFICATIONS			
Overall Dimensions (Height x Width x Depth)	38" x 27" x 31-1/2"	38" x 27" x 31-1/2"	38" x 27" x 31-1/2"
Color options	W/R/G	W/R/G	W/G
Recommended dryer	ME/GD6000X	ME/GD7000X††	ME/GD9000Y

Bold type indicates step-up feature

COLOR OPTIONS



W
White

R
Crimson

G
Granite

LIMITED PARTS WARRANTY COVERED MODELS



Visit maytag.com for warranty details.

MHW6000X
MHW7000X
MHW9000Y



All Maxima® high-efficiency front load washers are ENERGY STAR® qualified.

Accessories can be found on page 140.
Feature glossary can be found on page 148.
Complete product specifications can be found on page 154.

*Visit maytag.com for warranty details. **Based on the Consortium for Energy Efficiency qualifying product list. Visit cee1.org for more information.
†Compared to pre-2004 traditional top load washers. ††Order ME/GD6000XR for Crimson



ME/GD6000X
7.4 cu. ft. capacity
W/R/G



ME/GD7000X
7.4 cu. ft. capacity
W/G



ME/GD9000Y
7.4 cu. ft. capacity
W/G



ELECTRIC MODELS	MED6000X	MED7000X	MED9000Y
GAS MODELS	MGD6000X	MGD7000X	MGD9000Y
Capacity (cu. ft.)	7.4	7.4	7.4
High-efficiency model	•	•	•
Advanced Moisture Sensing	•	•	•
GentleBreeze™ drying system	•	•	•
Interactive LCD display			•
Cycles/Options	8/5	11/7	31/6
CYCLES			
Towels		•	•
Bedding		•	•
Steam cycles with direct hook-up	Auto Refresh	Auto Refresh Custom Refresh	Auto Refresh Custom Refresh
Specialty			•
OPTIONS			
Wrinkle Prevent	up to 150 minutes	up to 120 minutes with steam	up to 140 minutes with steam
Steam Boost		•	•
Reduce Static		•	•
ADDITIONAL FEATURES			
Temperature settings	5	5	6
Stainless steel dryer drum	•	SoundGuard®	SoundGuard®
Interior LED light	•	•	•
Reversible, side-swing door	•	•	•
Durable glass window	•	•	•
Quad baffles	•	•	•
ACCESSORIES			
Pedestal / Pedestal with chrome accents	XHP1550W/R/G / XHPC155XW/R/G	XHP1550W/R/G / XHPC155XW/R/G	XHP1550W/G / XHPC155XW/G
Stack kit	W10298318RP	W10298318RP	W10298318RP
Door reversal kit	W10315283RP	W10315283RP	W10315283RP
4-way internal vent kit Back (standard), Left, Right & Bottom	W10323246	W10323246	W10323246
LP conversion kit	W10307153	W10307153	W10307153
Dryer rack	W10322470A	W10322470A	W10322470A
MAYTAG® COMMERCIAL TECHNOLOGY			
High-performance motor	•	•	•
Commercial-grade 5-rib dryer belt	•	•	•
SPECIFICATIONS			
Overall Dimensions (Height x Width x Depth)	38" x 27" x 31-1/8"	38" x 27" x 31-1/8"	38" x 27" x 31-1/8"
Color options	W/R/G	W/G	W/G
Recommended washer	MHW6000X	MHW7000X	MHW9000Y

Bold type indicates step-up feature

COLOR OPTIONS



W
White

R
Crimson

G
Granite

high efficiency **SensorDrying** All Maxima® dryers feature high-efficiency sensor drying.

Accessories can be found on page 140.
Feature glossary can be found on page 148.
Complete product specifications can be found on page 154.



Performance Series

High-Efficiency Front Load Laundry Pairs

Models shown: MHWE301YW & ME/GDE301YW
Shown with 15.5" pedestals, model XHP1550VW



Best Cleaning in the Industry*

Enabled by the PowerWash® cycle, Performance Series washer MHWE950W also provides the best cleaning in the industry.† Extra cleaning action, increased wash temperature and a thorough rinse work together to power out your toughest stains—including ground-in dirt from life's less graceful moments. Plus, Performance Series washers MHWE201Y and MHWE301Y provide the best cleaning in their class** enabled by the PowerWash® cycle.



Fresh Hold® Option

The industry's first built-in fan is part of Dynamic Venting Technology® and helps keep clean laundry smelling fresh for up to 10 hours, so you can wash tonight and dry tomorrow. Now there's no need to worry about leaving clothes in the washer too long.



10-Year Limited Parts Warranty†

Maytag® Performance Series washers include a 10-year limited parts warranty on the washer motor and the stainless steel wash basket.† Laundry doesn't do itself, but when two of the most important components of the washer are covered for 10 years, it will always get done.



Large LED Display

The updated control panel on select Performance Series models features an LED cycle status window that serves as your data center. At a glance, you are able to see how much time is left during a cycle as well as information on wash or dry temperatures, spin speed and which options are selected.



Steam-Enhanced Dryer Cycles

Steam in the dryer helps to relax the wrinkles and reduce the odors that can sometimes end up on your dry clothing. The dryer connects directly to an existing water line, so there's never a need to fill a reservoir.



NOTE: Not all features are available on all models. *Among leading competitive brand front load washers; comparable cycles and settings. **Among leading brands, 3.5 cu. ft. capacity or less, without heater, comparable cycles and settings. †Visit maytag.com for warranty details.



MHWE201Y
3.5 cu. ft. capacity
W
PowerWash
fresh spin™ option



MHWE301Y
3.5 cu. ft. capacity
W
PowerWash
fresh spin™ option



MHWE950W
3.9 cu. ft. capacity
W
Steam
PowerWash
fresh hold™ option
Dynamic Venting Technology™

MODELS	MHWE201Y	MHWE301Y	MHWE950W
Capacity (cu. ft.)	3.5	3.5	3.9
10-year limited parts warranty* on motor and wash basket	•	•	•
Sensi-Care™ wash system	•	•	•
PowerWash™ cycle	•	•	•
Fresh Hold™ option with Dynamic Venting Technology®	•	•	10-hour
Fresh Spin™ option	•	•	•
Cycles/Options	12/10	13/11	12/8
EFFICIENCY			
ENERGY STAR™ qualified	•	•	•
Meets CEE Tier standards**	Tier 3	Tier 3	Tier 3
Water use†	76% less	76% less	80% less
Energy use‡	77% less	77% less	80% less
ADDITIONAL CYCLES			
NSF Certified Sanitary	•	•	with steam
NSF Certified Allergen	•	•	•
Cold Wash	•	•	•
Clean Washer with affresh® Washer Cleaner	•	•	Steam Cycle
ADDITIONAL OPTIONS			
SteamClean	•	•	•
Oxi Treat	•	•	•
NSF Certified Sanitize	•	•	•
Delay Start	2/8/10 hour	2/8/10 hour	16-hour
Max Extract™ extended spin	•	•	•
ADDITIONAL FEATURES			
Advanced Vibration Control™	•	•	•
Allergen removal	•	•	•
Temperature settings/Soil levels	3/3	4/4	5/3
1,000-watt water heater	•	•	•
Variable speed motor	•	•	•
Spin speed	up to 1,200 RPM	up to 1,200 RPM	up to 1,400 RPM
IntelliTemp™ automatic temperature control	•	•	•
IntelliFill™ automatic water level sensor	•	•	•
Timed release dispenser system	3-tray	3-tray	4-tray (adds Oxi)
ACCESSORIES			
Pedestal / Pedestal with chrome accents	XHP1550VW / XHPC155XW	XHP1550VW / XHPC155XW	XHP1550VW / XHPC155XW
6' Gooseneck nylon braided fill hose kit (2-pk)	8212638RP	8212638RP	8212638RP
5' Black inlet hose kit (2-pk)	8212641RP	8212641RP	8212641RP
10' Black inlet hose kit (2-pk)	8212656RP	8212656RP	8212656RP
Fill hose included	•	•	•
MAYTAG® COMMERCIAL TECHNOLOGY			
Durable metal motor and drive system	•	•	•
Commercial-grade washer belt	6-rib	6-rib	8-rib
Stainless steel wash basket	•	•	Tilted
Smooth Balance™ suspension system	•	•	•
Solid steel baseframe and side panels	•	•	•
Heavy-duty, die-cast door hinge	•	•	•
SPECIFICATIONS			
Overall Dimensions (Height x Width x Depth)	36" x 27" x 30-1/2"	36" x 27" x 30-1/2"	38" x 27" x 32-1/2"
Color option	W	W	W
Door style	White door	Chrome accent	Chrome accent
Recommended dryer	ME/GDE201Y	ME/GDE301Y	ME/GDE500V, ME/GDE900V

Bold type indicates step-up feature

COLOR OPTION



W
White

LIMITED PARTS WARRANTY COVERED MODELS



Visit maytag.com for warranty details.

MHWE201Y
MHWE301Y
MHWE950W

All Performance Series high-efficiency front load washers are ENERGY STAR® qualified.

Accessories can be found on page 140.
Feature glossary can be found on page 148.
Complete product specifications can be found on page 155.

*Visit maytag.com for warranty details. **Based on the Consortium for Energy Efficiency qualifying product list. Visit cee1.org for more information. †Compared to pre-2004 traditional top load washers.



ME/GDE201Y
6.7 cu. ft. capacity
W



ME/GDE301Y
6.7 cu. ft. capacity
W



ME/GDE500V/W
7.2 cu. ft. capacity
W



ME/GDE900V
7.5 cu. ft. capacity
W



ELECTRIC MODELS	MEDE201Y	MEDE301Y	MEDE500V	MEDE900V
GAS MODELS	MGDE201Y	MGDE301Y	MGDE500V	MGDE900V
Capacity (cu. ft.)	6.7	6.7	7.2	7.5
GentleBreeze™ drying system with IntelliDry™ sensor	•	•	•	•
High-efficiency model	•	•	•	•
Cycles/Options	9/4	9/4	8/5	11/5
CYCLES				
NSF Certified Sanitize			•	•
Steam cycles with direct hook-up		Auto Refresh Custom Refresh	Rapid Refresh Custom Refresh	Rapid Refresh Custom Refresh
Eco Normal	•	•		
Freshen Up	•			
OPTIONS				
Wrinkle Prevent	up to 90 minutes	up to 90 minutes	up to 120 minutes	up to 140 minutes
Damp Dry signal			•	•
End-of-cycle signal	On/Off	On/Off	Adjustable	Adjustable
ADDITIONAL FEATURES				
Temperature settings	5	5	5	5
DuraCushion™ dryer drum	•	•	•	•
Interior light	•	•	•	•
Reversible, side-swing door	•	•	•	•
ACCESSORIES				
Pedestal / Pedestal with chrome accents	XHP1550VW / XHPC155XW	XHP1550VW / XHPC155XW	XHP1550VW / XHPC155XW	XHP1550VW / XHPC155XW
Stack kit	8572546	8572546	8541503	8541503
Door reversal kit	W10406955	W10406955	8579666ARP	8579666ARP
4-way internal vent kit Back (standard), Left, Right & Bottom	W10470674	W10470674	W10470674	W10470674
LP conversion kit	W10317689	W10317689	W10317689	W10317689
Dryer rack	W10121663	W10121663	W10121663	W10121663
MAYTAG® COMMERCIAL TECHNOLOGY				
Durable metal motor and drive system	•	•	•	•
Commercial-grade, 5-rib dryer belt	•	•	•	•
Smooth Balance™ suspension system			•	•
Solid steel baseframe and side panels	•	•	•	•
Heavy-duty, die-cast door hinge	•	•	•	•
SPECIFICATIONS				
Overall Dimensions (Height x Width x Depth)	36" x 27" x 29"	36" x 27" x 29"	38" x 27" x 32-9/16"	38" x 27" x 32-9/16"
Color option	W	W	W	W
Door style	White door	Chrome accent	Chrome accent	Chrome accent
Recommended washer	MHWE201Y	MHWE301Y	MHWE950W	MHWE950W

Bold type indicates step-up feature

COLOR OPTION



W
White

he high efficiency **SensorDrying** All Performance Series front load dryers feature high-efficiency sensor drying.

Accessories can be found on page 140.
Feature glossary can be found on page 148.
Complete product specifications can be found on page 155.



Bravos XL®

High-Efficiency Top Load Laundry Pairs

Models shown: MVWB950YG & ME/GDB950YG



Best Cleaning in the Industry*

Enabled by the PowerWash® system, Bravos XL® washers make sure you always have the best cleaning in the industry† at your side. By combining PowerSpray technology, optimal dispensers and the PowerWash® cycle, these washers help remove tough stains load after load.



Cold Wash Cycle

Extra cleaning action with PowerSpray technology and active soak powers out tough stains like wine, chocolate and ground-in dirt in cold water. Get the performance of a warm water wash but with the energy savings of cold water.



10-Year Limited Parts Warranty**

Bravos XL® washers include a 10-year limited parts warranty on the washer motor and the stainless steel wash basket.† Because these two important parts are covered, you won't have to worry about stocking up on quarters for the laundromat.



Enhanced Airflow Monitor

All Bravos XL® dryers are capable of venting straight for up to 100 feet. The enhanced Airflow Monitor checks for any restrictions of airflow at the start of every cycle, then provides a convenient visual display of the dryer's venting performance.



Advanced Moisture Sensing Technology

Advanced Moisture Sensing provides even drying for your large loads.† Three separate sensors, including moisture strips in the dryer drum, evenly dry loads without overdrying, reducing the risk of shrinking.

NOTE: Not all features are available on all models. *Among leading competitive brand top load washers; comparable cycles and settings. **Visit maytag.com for warranty details. †Based on testing of an 18-lb load.



MVWB750Y
4.6 cu. ft. capacity
W
PowerWash SYSTEM



MVWB850Y
4.6 cu. ft. capacity
W/G
PowerWash SYSTEM



MVWB950Y
4.6 cu. ft. capacity
W/G
PowerWash SYSTEM

MODELS	MVWB750Y	MVWB850Y	MVWB950Y
Capacity (cu. ft.)	4.6	4.6	4.6
10-year limited parts warranty* on motor and wash basket	•	•	•
PowerWash® system	•	•	•
Optimal dispensers	•	•	•
PowerSpray technology	•	•	•
PowerWash® cycle	•	•	•
Cycles/Options	10/16	13/19	16/23
EFFICIENCY			
ENERGY STAR® qualified	•	•	•
Meets CEE Tier standards**	Tier 3	Tier 3	Tier 3
Water use†	Over 76% less	Over 76% less	Over 76% less
Energy use†	Over 78% less	Over 78% less	Over 78% less
ADDITIONAL CYCLES			
NSF Certified Sanitary with Oxi			•
Colors/Towels		•	•
Cold Wash		•	•
Clean Washer with affresh® Washer Cleaner	•	•	•
Rapid Wash	•	•	•
Active Wear			•
Soak			•
OPTIONS			
Max Extract™ extended spin	•	•	•
Clean Boost			•
Delay Start			up to 18 hours
Clean Washer Reminder reset	•	•	•
Water Save Spray rinse	•	•	•
Oxi Treat Stains			•
ADDITIONAL FEATURES			
Allergen removal		•	•
Temperature settings/Soil level	3/3	4/4	5/4
1,200-watt water heater			with Clean Boost option
Selectable spin speeds	3/up to 1,100 RPM	4/up to 1,100 RPM	4/up to 1,100 RPM
QuietSeries™ sound package	200	200	400
Automatic dispensers	Detergent, bleach and fabric softener	Detergent, bleach and fabric softener	Detergent, Oxi /bleach and fabric softener
PureClean™ rinse system with SpinSpray™ rinse	•	•	•
Wide-opening lid with SmoothClose™ hinge and full-width lid bumper	•	•	•
ACCESSORIES			
4' Drain extension kit	DRNEXT4	DRNEXT4	DRNEXT4
5' Black inlet hose kit (2-pk)	8212641RP	8212641RP	8212641RP
10' Black inlet hose kit (2-pk)	8212656RP	8212656RP	8212656RP
MAYTAG® COMMERCIAL TECHNOLOGY			
2X Life†† tested drive system	•	•	•
Stainless steel wash basket	•	•	•
Enhanced IntelliClean™ impeller	•	•	•
Corrosion-resistant springs	•	•	•
Steel cabinet and reinforced baseframe	•	•	•
Zinc-coated, tuned leveling legs	•	•	•
Smooth Balance™ suspension system	•	•	•
Direct drive infinite speed motor	•	•	•
Full-width, commercial-grade glass window		Smoked glass	Mirrored glass
Metal-wrapped handle		•	•
SPECIFICATIONS			
Overall Dimensions (Height x Width x Depth)	45" x 27-1/2" x 27-1/2"	45" x 27-1/2" x 27-1/2"	45" x 27-1/2" x 27-1/2"
Color options	W	W/G	W/G
Recommended dryer	ME/GDB750Y	ME/GDB850Y	ME/GDB950Y

Bold type indicates step-up feature

COLOR OPTIONS



W
White

G
Granite

LIMITED PARTS WARRANTY COVERED MODELS



Visit maytag.com for warranty details.

MVWB750Y
MVWB850Y
MVWB950Y



All Bravos XL® high-efficiency top load washers are ENERGY STAR® qualified.

Accessories can be found on page 140.
Feature glossary can be found on page 148.
Complete product specifications can be found on page 156.

*Visit maytag.com for warranty details. **Based on the Consortium for Energy Efficiency qualifying product list. Visit cee1.org for more information. †Compared to pre-2004 traditional top load washers. ††Based on time accelerated, 20-year simulated testing, normal cycle and average use.



ME/GDB750Y
7.3 cu. ft. capacity
W



ME/GDB850Y
7.3 cu. ft. capacity
W/G



ME/GDB950Y
7.3 cu. ft. capacity
W/G



ELECTRIC MODELS	MEDB750Y	MEDB850Y	MEDB950Y
GAS MODELS	MGDB750Y	MGDB850Y	MGDB950Y
Capacity (cu. ft.)	7.3	7.3	7.3
GentleBreeze™ drying system	•	•	•
Advanced Moisture Sensing	•	•	•
High-efficiency model	•	•	•
Cycles/Options	9/15	11/16	14/23
CYCLES			
Steam cycles with direct hook-up		Auto Refresh	Auto Refresh Custom Refresh
Sanitize		•	•
Towels		•	•
Active Wear			•
Freshen Up	•		
Denim			•
OPTIONS			
Wrinkle Prevent	up to 150 minutes	up to 150 minutes	up to 150 minutes with steam
Steam Boost			•
Reduce Static			•
ADDITIONAL FEATURES			
Temperature settings	5	5	5
Dryness levels	4	5	5
QuietSeries™ sound package			400
DuraCushion™ dryer drum	•	•	•
Selectable interior light	•	•	•
Durable Spill-Catcher™ top	•	•	•
Reversible side-swing door	•	•	•
Front lint filter	•	•	•
Commercial-grade 1/3-HP motor	•	•	•
Enhanced airflow monitor	•	•	•
100-ft venting	•	•	•
Heavy-duty, 1,950 RPM blower	•	•	•
ACCESSORIES			
Internal bottom vent kit	49610	49610	49610
External L/R vent kit	49611	49611	49611
Rear vent kit			8544761A
LP conversion kit	W10317689	W10317689	W10317689
Dryer rack	8577312A	8577312A	8577312A
MAYTAG® COMMERCIAL TECHNOLOGY			
Steel cabinet and reinforced baseframe	•	•	•
Commercial-grade glass window		•	•
Commercial-grade, 5-rib dryer belt	•	•	•
Premium dryer drum rollers	•	•	•
Large stack motor	•	•	•
SPECIFICATIONS			
Overall Dimensions (Height x Width x Depth)	45" x 29" x 29-1/4"	45" x 29" x 29-1/4"	45" x 29" x 29-1/4"
Color options	W	W/G	W/G
Recommended washer	MVWB750Y	MVWB850Y	MVWB950Y

Bold type indicates step-up feature

COLOR OPTIONS



W
White

G
Granite



Bravos X™

High-Efficiency Top Load Laundry Pairs

Models shown: MVWX700XL & ME/GDX700XL



PowerWash® Cycle

A triple-threat method of extra cleaning action, enhanced stain removal and a thorough rinse helps remove tough soils like ground-in dirt and stubborn stains.

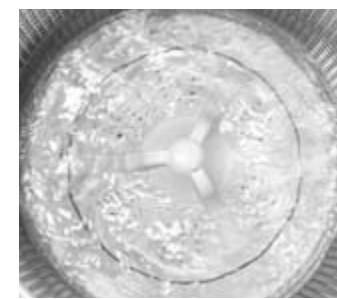


10-Year Limited Parts Warranty*

Bravos X™ washers are backed by a 10-year limited parts warranty on the stainless steel wash basket and the washer motor.† Laundry doesn't do itself, but when two of the most important components of the washer are covered for 10 years, it will always get done.



Visit maytag.com for warranty details.



Low Water Wash System with IntelliClean™ Impeller

These washers conserve resources by saving over 70% water and energy,** with the help of the IntelliClean™ impeller. This impeller moves independently of the wash basket, creating increased action for thorough cleaning. The end result is a better cleaning performance for you and your clothes.



LEARN MORE AT energystar.gov



High-Efficiency Laundry Pair

Bravos X™ washers offer the same high-efficiency performance as their front load counterparts. Pair up dryers MEDX700X or MGDY700X with a Bravos X™ washer that meets CEE Tier 3† standards and increase your efficiency by using 35%†† less dryer energy when using the Eco Normal cycle.



More Washer Capacity

Bravos X™ high-efficiency washers use an impeller instead of an agitator, creating more space to easily handle large loads.

NOTE: Not all features are available on all models. *Visit maytag.com for warranty details. **Compared to pre-2004 traditional top load washers. †Based on the Consortium for Energy Efficiency qualifying product list. Visit cee1.org for more information. ††Compared to pre-2004 traditional pairs using the normal cycle.



MVWX500X
3.6 cu. ft. capacity
W



MVWX600X
3.6 cu. ft. capacity
W



MVWX700X
3.6 cu. ft. capacity
W/L



MODELS	MVWX500X	MVWX600X	MVWX700X
Capacity (cu. ft.)	3.6	3.6	3.6
10-year limited parts warranty* on motor and wash basket	•	•	•
Low water wash system	•	•	•
PowerWash® cycle	•	•	•
IntelliClean™ impeller	•	•	•
IntelliFill™ automatic water level sensor	•	•	•
Cycles/Options	8/12	10/15	11/18
EFFICIENCY			
ENERGY STAR® qualified	•	•	•
Meets CEE Tier standards**	Tier 3	Tier 3	Tier 3
Water use†	over 70% less	over 70% less	over 70% less
Energy use†	over 70% less	over 70% less	over 70% less
ADDITIONAL CYCLES			
Wrinkle Control	•	•	•
Hand Wash	•	•	•
Clean Washer with affresh® Washer Cleaner	•	•	•
Allergen	•	•	•
OPTIONS			
Deep Clean		•	•
Prewash			•
ADDITIONAL FEATURES			
Temperature settings/Soil level	4/3	5/4	5/5
Automatic temperature control	•	•	•
Selectable spin speeds	3	3	3
QuietSeries™ sound package		200	200
Automatic dispensers	Detergent, bleach and fabric softener	Detergent, bleach and fabric softener	Detergent, bleach and fabric softener
Smooth Balance™ suspension system	•	•	•
Wide-opening lid with SmoothClose™ hinge	•	•	•
2X Life†† tested drive system	•	•	•
Stainless steel wash basket	•	•	•
Durable glass window			•
ACCESSORIES			
6' Gooseneck nylon braided fill hose kit (2-pk)	8212638RP	8212638RP	8212638RP
5' Black inlet hose kit (2-pk)	8212641RP	8212641RP	8212641RP
10' Black inlet hose kit (2-pk)	8212656RP	8212656RP	8212656RP
4' Drain hose extension kit	DRNEXT4	DRNEXT4	DRNEXT4
MAYTAG® COMMERCIAL TECHNOLOGY			
Commercial-grade impeller	•	•	•
Corrosion-resistant springs	•	•	•
Synthetic oil	•	•	•
SPECIFICATIONS			
Overall Dimensions (Height x Width x Depth)	43" x 27-1/2" x 27"	43" x 27-1/2" x 27"	43" x 27-1/2" x 27"
Color options	W	W	W/L
Recommended dryer	ME/GDX500X	ME/GDX600X	ME/GDX700X

Bold type indicates step-up feature

COLOR OPTIONS



W
White

L
Liquid Silver

LIMITED PARTS WARRANTY COVERED MODELS



Visit maytag.com for warranty details.

MVWX500X
MVWX600X
MVWX700X



All Bravos X™ high-efficiency top load washers are ENERGY STAR® qualified.

Accessories can be found on page 140.
Feature glossary can be found on page 148.
Complete product specifications can be found on page 157.

*Visit maytag.com for warranty details. **Based on the Consortium for Energy Efficiency qualifying product list. Visit cee1.org for more information.
†Compared to pre-2004 traditional top load washers. ††Based on time accelerated, 20-year simulated testing, normal cycle and average use.



ME/GDX500X
7.4 cu. ft. capacity
W



ME/GDX600X
7.4 cu. ft. capacity
W



ME/GDX700X
7.4 cu. ft. capacity
W/L

ELECTRIC MODELS	MEDX500X	MEDX600X	MEDX700X
GAS MODELS	MGDX500X	MGDX600X	MGDX700X
Capacity (cu. ft.)	7.4	7.4	7.4
High-efficiency model	•	•	•
GentleBreeze™ drying system with IntelliDry™ sensor	•	•	•
Cycles/Options	10/6	9/14	10/15
CYCLES			
Eco Normal			•
NSF Certified Sanitize		•	•
Rapid Dry		•	•
Touch Up		•	•
OPTIONS			
Wrinkle Prevent	up to 90 minutes	up to 150 minutes	up to 150 minutes
Air Dry	•	•	•
ADDITIONAL FEATURES			
Temperature settings	4	5	5
QuietSeries™ sound package		200	200
DuraCushion™ dryer drum	•	•	•
Interior light	•	•	Selectable
Damp Dry signal		•	•
Smooth Balance™ suspension system	•	•	•
Reversible side-swing door	•	•	•
Durable glass window			•
ACCESSORIES			
4-way internal vent kit Back (standard), Left, Right & Bottom	W10470674	W10470674	W10470674
LP conversion kit	W10317689	W10317689	W10317689
Dryer rack	8212450A	8212450A	8212450A
MAYTAG® COMMERCIAL TECHNOLOGY			
High-performance motor	•	•	•
Commercial-grade, 5-rib dryer belt	•	•	•
Premium dryer drum rollers			•
SPECIFICATIONS			
Overall Dimensions (Height x Width x Depth)	43" x 27" x 29-1/4"	43" x 27" x 29-1/4"	43" x 27" x 29-1/4"
Color options	W	W	W/L
Recommended washer	MVWX500X	MVWX600X	MVWX700X

Bold type indicates step-up feature

COLOR OPTIONS



W
White

L
Liquid Silver

 high efficiency **SensorDrying** All Bravos X™ dryers feature high-efficiency sensor drying.

Accessories can be found on page 140.
Feature glossary can be found on page 148.
Complete product specifications can be found on page 157.



Centennial®

Top Load Laundry Pairs

Models shown: MVWC450XW & ME/GDC300XW



Low Water Wash System with IntelliClean™ Impeller

Select Centennial® washers conserve resources by saving over 70% water and energy,* with the help of the IntelliClean™ impeller. The washer measures and balances the load before filling while the impeller moves independently of the wash basket, creating increased action for thorough cleaning. The end result is a better cleaning performance for you and your clothes.



Maytag® Commercial Technology

Centennial® laundry pairs include commercial-grade materials to make sure you're bringing home long-lasting, Maytag brand durability. The washer features corrosion-resistant springs, durable impeller, metal pulley and synthetic oil, while the dryer utilizes a 1/3-HP motor, 5-rib dryer belt and premium dryer drum rollers.



Cycle Status Indicator

Keep track of how much time your clothes have in the wash cycle and whether you locked the lid with this cycle status indicator.



ENERGY STAR® Qualified

Select Centennial® washers have earned an ENERGY STAR® qualification, which means you'll save money on monthly utility bills without sacrificing excellent cleaning performance.



GentleBreeze™ Drying System

This system is designed to minimize overdrying and shrinking. Select models also feature the IntelliDry® sensor, which monitors moisture levels and stops the cycle when clothes are dry—it could even save you up to \$140 over the life of the dryer.**

NOTE: Not all features are available on all models. *Compared to pre-2004 traditional top load washers. **Compared to automatic dry, 7.0 cu. ft. electric dryers only.



MVWC200X
3.4 cu. ft. capacity
W



MVWC300X
3.4 cu. ft. capacity
W



NEW MVWC350A
3.4 cu. ft. capacity
W



MVWC400X
3.6 cu. ft. capacity
W



NEW MVWC450X
3.6 cu. ft. capacity
W



MODELS	MVWC200X	MVWC300X	NEW MODEL MVWC350A	MVWC400X	NEW MODEL MVWC450X
Capacity (cu. ft.)	3.4	3.4	3.4	3.6	3.6
DependableClean™ wash system	•	•	•	•	•
Low water wash system				•	•
Cycles/Options	8/10	11/9	11/11	11/10	11/10
EFFICIENCY					
ENERGY STAR® qualified		•	•	•	•
Meets CEE Tier standards†		Tier 1	Tier 1	Tier 3	Tier 3
Water use**		over 60% less	over 60% less	over 70% less	over 70% less
Energy use**		over 70% less	over 70% less	over 70% less	over 70% less
CYCLES					
Clean Washer			•	•	•
Bulky		•	•	•	•
OPTIONS					
Extra Rinse		•	•	•	•
Deep Clean				•	•
Deep Water Wash			•		
ADDITIONAL FEATURES					
IntelliFill™ water level sensor		•	•	•	•
Auto Load Sensing		•	•	•	•
PureClean™ rinse system	•	•	•	•	•
IntelliClean™ impeller				•	•
LoadFlex™ agitator	•	•	•		
Temperature settings	4	5	5	4	4
Automatic temperature control	•	•	•	•	•
Bleach dispenser	•	•	•	•	•
Fabric softener dispenser	•	•	•	Free Downy Ball® available	Free Downy Ball® available
Cycle status indicator	•	•	•	•	•
Spill-Catcher™ top	•	•	•	•	•
Metallic silver console styling & knobs	•	•	•	•	•
Wide-opening, heavy-gauge steel lid	•	•	•	•	with Commercial-grade glass window
Seamless front edges	•	•	•	•	•
2X Life† tested drive system	•	•	•	•	•
Smooth Balance™ suspension system	•	•	•	•	•
Wash basket	White porcelain-on-steel	White porcelain-on-steel	White porcelain-on-steel	Stainless steel	Stainless steel
One-piece drain hose	•	•	•	•	•
ACCESSORIES					
6' Gooseneck nylon braided fill hose kit (2-pk)	8212638RP	8212638RP	8212638RP	8212638RP	8212638RP
5' Black inlet hose kit (2-pk)	8212641RP	8212641RP	8212641RP	8212641RP	8212641RP
10' Black inlet hose kit (2-pk)	8212656RP	8212656RP	8212656RP	8212656RP	8212656RP
MAYTAG® COMMERCIAL TECHNOLOGY					
Corrosion-resistant springs	•	•	•	•	•
Durable impeller				•	•
Metal pulley	•	•	•	•	•
Synthetic oil	•	•	•	•	•
SPECIFICATIONS					
Overall Dimensions (Height x Width x Depth)	43" x 27-1/2" x 27"	43" x 27-1/2" x 27"	43" x 27-1/2" x 27"	43" x 27-1/2" x 27"	43" x 27-1/2" x 27"
Color option	W	W	W	W	W
Recommended dryer	ME/GDC200X	ME/GDC300X	ME/GDC300X	ME/GDC300X	ME/GDC300X

Bold type indicates step-up feature

COLOR OPTION



W
White


Accessories can be found on page 140.
Feature glossary can be found on page 148.
Complete product specifications can be found on page 158.

**Based on the Consortium for Energy Efficiency qualifying product list. Visit cee1.org for more information. **Compared to pre-2004 traditional top load washers.
†Based on time accelerated, 20-year simulated testing, normal cycle and average use.



ME/GDC200X
7.0 cu. ft. capacity
W



ME/GDC300X
7.0 cu. ft. capacity
W  high efficiency
SensorDrying

ELECTRIC MODELS	MEDC200X	MEDC300X
GAS MODELS	MGDC200X	MGDC300X
Capacity (cu. ft.)	7.0	7.0
GentleBreeze™ drying system	•	•
Smooth Balance™ suspension system	•	•
IntelliDry™ sensor	•	•
High-efficiency model		•
Cycles/Options	13/4	13/5
CYCLES		
Timed Dry	up to 70 minutes	up to 70 minutes
Sensor Dry		•
OPTIONS		
Air Fluff	•	•
Low Delicate	•	•
ADDITIONAL FEATURES		
Temperature settings	3	4
DuraCushion™ dryer drum	•	•
Interior light		•
Metallic silver console styling & knobs	•	•
Reversible side-swing door	•	•
360° Front and rear heat seal	•	•
Front serviceable	•	•
64-ft venting	•	•
ACCESSORIES		
LP conversion kit	49572	49572
Dryer rack	3406839	3406839
MAYTAG® COMMERCIAL TECHNOLOGY		
1/3-HP motor	•	•
Commercial-grade, 5-rib dryer belt	•	•
Premium dryer drum rollers	•	•
SPECIFICATIONS		
Overall Dimensions (Height x Width x Depth)	43" x 29" x 27-13/16"	43" x 29" x 27-13/16"
Color option	W	W
Recommended washer	MVWC200X	MVWC300X, MVWC350A, MVWC400X, MVWC450X

Bold type indicates step-up feature

COLOR OPTION



W
White

Accessories can be found on page 140.
Feature glossary can be found on page 148.
Complete product specifications can be found on page 158.



Specialty Laundry



DependableClean™ Wash System

The LoadFlex™ agitator rolls clothes in a 100° arc through the wash and rinse cycles to provide reliable cleaning, wash after wash.



Commercial-Grade, Stainless Steel Wash Basket

Resists chips, scratches and odors. Super-tough stainless steel maintains a smooth surface so it won't snag or pill fabrics.



Metallic Console Styling

Metallic knobs highlight the strong, dependable console.

Model shown: ME/GT3800TW



ME/GT3800T

2.4 cu. ft. washer capacity
5.9 cu. ft. dryer capacity

W

ELECTRIC MODEL	MET3800T
GAS MODEL	MGT3800T
WASHER FEATURES	
Capacity (cu. ft.)	2.4
DependableClean™ wash system	•
Cycles	9
Delicates cycle	•
Prewash cycle	•
Temperature settings	4
Automatic temperature control	•
LoadFlex™ agitator	•
Speed combinations	3
Front panel dial controls	•
Water levels	3
QuietSeries™ sound package	200
Automatic bleach and fabric softener dispensers	•
Metallic console styling	•
Smooth Balance™ suspension system	•
Porcelain-on-steel wash basket	•
Self-cleaning lint removal system	•
DRYER FEATURES	
Capacity (cu. ft.)	5.9
GentleBreeze™ drying system	•
IntelliDry™ sensor	•
Cycles/Options	4/1
Timed Dry cycle	•
Air Fluff cycle	•
Wrinkle Prevent option	•
Adjustable degree of dryness	•
Temperature settings	3
Automatic temperature control	•
QuietSeries™ sound package	200
DuraCushion™ dryer drum	•
Interior light	•
Metallic console styling	•
Front panel dial controls	•
ACCESSORIES	
LP conversion kit	3392235
Fill hose included	•
SPECIFICATIONS	
Overall Dimensions (Height x Width x Depth)	73" x 27" x 32"
Color option	W



MHWC7500Y

2.0 cu. ft. capacity
W



MED7500Y

3.8 cu. ft. capacity
W

WASHER MODEL	MHWC7500Y
Capacity (cu. ft.)	2.0
ENERGY STAR™ qualified	•
Meets CEE Tier standards*	Tier 1
TurboClean™ wash system	•
Cycles/Options	8/6
Clean Washer cycle	•
Heavy Duty cycle	•
Normal cycle	•
Rapid Wash cycle	•
Second Rinse option	•
Delay Start option	up to 12 hours
Temperature settings	3
Automatic temperature control	•
IntelliFill™ water level sensor	•
Spin speed	up to 1,200 RPM
Automatic detergent, bleach and fabric softener dispenser	•
LED controls	•
Max Extract™ extended spin	•
Commercial-grade, stainless steel wash basket	•
Self-cleaning lint removal system	•

SPECIFICATIONS

Dimensions (Height x Width x Depth)	33-1/2" x 23-1/2" x 24"
Color option	W

ELECTRIC DRYER MODEL MED7500Y

Capacity (cu. ft.)	3.8
GentleBreeze™ drying system	•
IntelliDry™ sensor	•
Timed Dry cycle	20/40/60
More Dry cycle	Regular/Synthetic
Normal cycle	Regular/Synthetic
Iron Dry cycle	Regular/Synthetic
Damp Dry cycle	Regular/Synthetic
Low/Delicate/Regular temperature	•
Stainless steel dryer drum	•

ACCESSORIES

Stack kit included (W10178021)	•
Fill hose included	•

SPECIFICATIONS

Overall Dimensions (Height x Width x Depth)	33-1/4" x 23-3/8" x 23-1/4"
Color option	W

COLOR OPTION



W
White

Accessories can be found on page 140.
Feature glossary can be found on page 148.
Complete product specifications can be found on page 159.

NOTE: Not all features are available on all models.
*Based on the Consortium for Energy Efficiency qualifying product list. Visit cee1.org for more information.



Model shown: MFX2570AEM

Count on the space and strength of Maytag® refrigerators to keep you well stocked.

Because leftovers should never be left out



VIDEO



French Door Refrigerators

46



Bottom-Freezer Refrigerators

58



Side-by-Side Refrigerators

62



Top-Freezer Refrigerators

70



Cool Core® Temperature Management

Electronic sensors monitor temperatures and let the heart of the machine—the Better Built compressor—work with the Dual Cool® evaporators to send the right kind of cold just where you need it. So you can depend on fresh and frozen food staying its best.



Store-N-Door® Dispensing System

By putting the ice bin in the door, we've given you more space to fit taller items. The ice bin is also removable, making it perfect for filling large containers like blenders for smoothies.



Strongbox™ Door Bins

50 times stronger than standard door bins, Strongbox™ door bins offer improved durability and impact resistance, so you can load them up with bottles, jugs and other containers.



10-Year Limited Parts Warranty*

Select Maytag® refrigerators are backed by a 10-year limited parts warranty on the compressor.* It's the most vital component of the refrigerator and acts as the engine that keeps food cold.



Wide-N-Fresh™ Deli Drawer

The Wide-N-Fresh™ deli drawer gives you the convenience to tackle after-school or late-night snack attacks. It features temperature controls and provides lots of storage space for large party platters or deli trays.



French Door
Refrigerators

Model shown: MFT2976AEM

NOTE: Not all features are available on all models.
*Visit maytag.com for warranty details.



MFI2067AE
20 cu. ft. capacity
Ice₂O® Refrigerator
Counter Depth
S



MFI2269VE
22 cu. ft. capacity
Ice₂O® Refrigerator
W/B/M



MFI2665XE
26 cu. ft. capacity
Ice₂O® Refrigerator
W/B/M



	COUNTER DEPTH		
MODELS	MFI2067AE	MFI2269VE	MFI2665XE
Capacity (cu. ft.)	20	22	26
10-year limited parts warranty* on compressor			•
ENERGY STAR® qualified	•	•	•
Meets CEE Tier standards**	Tier 1	Tier 1	Tier 2
REFRIGERATOR FEATURES			
Cooling system	Quad Cool™	Quad Cool™	Quad Cool™
Contoured, french door styling	•	•	•
External filtered ice and water dispenser	•	•	Flush dispenser
PUR™ retractable water and ice filter with water filter indicator light	•	•	•
Water filter cartridge replacement no.	FILTER 4 (UKF8001)	FILTER 4 (UKF8001)	FILTER 4 (UKF8001)
Ice system	Direct Chill	Direct Chill	Direct Chill
EasyGlide™ adjustable Spill-Catcher™ glass shelves	3 Half-width	2 Half-width	3 Half-width
Spill-Catcher™ glass shelves	1 Full-width fixed, 1 Mini	1 Half-width adjustable, 1 Full-width fixed	1 Full-width fixed, 1 Mini
Wide-N-Fresh™ deli drawer	Temperature controlled	Temperature controlled	•
Sealed FreshLock™ crispers with humidity control	2	2	2
Door bins	1 Gallon, 1 Standard	1 Gallon, 2 Standard	3 Clear gallon, 3 Standard
Temperature controlled Beverage Chiller™ compartment	•	•	•
Covered dairy compartment	•	•	•
Beverage Organizer™ rack	Vertical		
Bright white interior LED lighting	•	•	•
Accelerated cooling/ice mode	Max Cool	Max Cool	Fast Cool
Sabbath Mode	•	•	•
FREEZER FEATURES			
Glide-out freezer drawer with SmoothClose™ drawer track system	•	•	2X Life* tested drawer glides
Right Size ice cubes and crushed ice			•
Solid stainless steel ice maker auger	•	•	•
Factory-installed ice maker with ice bin	•	•	•
Slide-out bin organization system		2 Upper, 1 Lower	
Lower basket divider	•	•	•
EXTERIOR FEATURES			
Exterior temperature controls with lockout	•	•	•
Electronic control system	Push button	Push button	Precision Touch
Door alarm	•	•	•
High-temperature alarm	•	•	•
Durable metal handles††	•	•	•
Hidden hinges	•	•	•
BETTER BUILT COMPONENTS			
Strongbox™ hinge design	•	•	•
Patented door seal	•	•	•
SPECIFICATIONS			
Overall Dimensions (Height including hinges x Width x Depth including handles)	70-1/8" x 35-5/8" x 30-1/4"	70-1/8" x 32-5/8" x 34-1/4"	70-1/8" x 35-5/8" x 35-1/4"
Smooth door color options	S	W/B	W/B
Monochromatic door color option		M	M

Bold type indicates step-up feature

COLOR OPTIONS



W White with White Cabinet
B Black with Black Cabinet
S Stainless Steel with Black Cabinet
M Monochromatic Stainless Steel with Apollo Grey Cabinet

LIMITED PARTS WARRANTY COVERED MODELS



MFI2665XE

Visit maytag.com for warranty details.

Refrigerator interiors can be found on pages 54–55.
Accessories can be found on page 142.
Feature glossary can be found on page 148.
Complete product specifications can be found on page 160.

*Visit maytag.com for warranty details. **Based on the Consortium for Energy Efficiency qualifying product list. Visit cee1.org for more information. †Freezer drawer glides tested to 300,000 openings and closings. ††Stainless Steel models only.



MFI2670XE
26 cu. ft. capacity
Ice2O® Refrigerator
W/B/M



NEW MFT2976AE
29 cu. ft. capacity
Ice2O® Refrigerator
W/B/M



NEW MFX2570AE
25 cu. ft. capacity
Ice2O® 4-Door Refrigerator
W/B/M



MODELS	NEW MODELS		
	MFI2670XE	MFT2976AE	MFX2570AE
Capacity (cu. ft.)	26	29	25
10-year limited parts warranty* on compressor	•	•	•
ENERGY STAR® qualified	•	•	•
Meets CEE Tier standards**	Tier 3	Tier 2	Tier 1
REFRIGERATOR FEATURES			
Cooling system	Quad Cool™	Cool Core™ temperature management	Quad Cool™
Dual Cool™ evaporators		•	
FreshFlow™ produce preserver		FRESH1 (W10346771A)	
FreshFlow™ air filter		AIR1 (W10311524)	
Contoured, french door styling	•		•
External filtered ice and water dispenser	Flush dispenser	Flush dispenser	Flush dispenser
Measured Fill			•
PUR® retractable water and ice filter with water filter indicator light	•	•	•
Water filter cartridge replacement no.	FILTER 4 (UKF8001)	FILTER 2 (W10415645A)	FILTER 4 (UKF8001)
Ice system	Direct Chill	Store-N-Door®	Direct Chill
EasyGlide™ adjustable	3 Half-width		2 Half-width
Spill-Catcher™ glass shelves			
Spill-Catcher™ glass shelves	1 Full-width fixed, 1 Mini	1 Full-width fixed, 3 Half-width adjustable , 1 Half-width flip down with metal trim	1 Full-width fixed, 1 Half-width adjustable, 1 Mini
Removable drawer dividers			2 with 1 organizer
Easy Access refrigerator drawer			•
Wide-N-Fresh™ deli drawer	Temperature controlled	Temperature controlled	
Sealed FreshLock™ crispers with humidity control	2	2	
Door bins	3 Clear gallon, 3 Standard, 1 Wine holder	3 Clear extra-deep gallon , 3 Standard, 2-liter	3 Clear gallon, 3 Standard, 1 Wine holder
Bright white interior LED lighting	•	•	•
Accelerated cooling/ice mode	Fast Cool	Speed Cool / Fast Ice	Speed Cool
Power outage indicator		•	•
Sabbath Mode		•	•
FREEZER FEATURES			
Easy Access freezer storage system		•	
Glide-out freezer drawer with SmoothClose™ drawer track system	2X Life† tested drawer glides	2X Life† tested drawer glides	2X Life† tested drawer glides
Right Size ice cubes and crushed ice	•	•	•
Solid stainless steel ice maker auger	•	•	•
Factory-installed ice maker with ice bin	•	•	•
Slide-out bin organization system			2 Upper, 1 Lower
Lower basket divider	•	•	•
EXTERIOR FEATURES			
Exterior temperature controls with lockout	•	•	•
Electronic control system	Precision Touch	Precision Touch	Precision Touch
Door alarm	•	•	•
Front Fill ice and water		•	
Durable metal handles††	•	•	•
Hidden hinges	•	•	•
BETTER BUILT COMPONENTS			
Compressor		•	
Strongbox™ hinge design	•	•	•
Patented door seal	•	•	•
SPECIFICATIONS			
Overall Dimensions (Height including hinges x Width x Depth including handles)	70-1/8" x 35-5/8" x 35-1/4"	69-15/16" x 35-5/8" x 35-2/3"	70-1/8" x 35-5/8" x 35-5/8"
Smooth door color options	W/B	W/B	W/B
Monochromatic door color option	M	M	M

Bold type indicates step-up feature

COLOR OPTIONS



W
White with White Cabinet



B
Black with Black Cabinet



M
Monochromatic Stainless Steel with Apollo Grey Cabinet

LIMITED PARTS WARRANTY COVERED MODELS



Visit maytag.com for warranty details.

MFI2670XE
MFT2976AE
MFX2570AE

Refrigerator interiors can be found on pages 54–55.
Accessories can be found on page 142.
Feature glossary can be found on page 148.
Complete product specifications can be found on page 160.

*Visit maytag.com for warranty details. **Based on the Consortium for Energy Efficiency qualifying product list. Visit cee1.org for more information. †Freezer drawer glides tested to 300,000 openings and closings. ††Stainless Steel models only.



MFF2558VE
25 cu. ft. capacity
W/B/M
Also available:
MFF2258VE
22 cu. ft. capacity
W/B/M



MFD2562VE
25 cu. ft. capacity
M



MFC2061KE
20 cu. ft. capacity
Counter Depth
S



MFF2055YE
20 cu. ft. capacity
Fits a 30" Opening
W/B/M



MODELS	COUNTER DEPTH			
	MFF2558VE MFF2258VE	MFD2562VE	MFC2061KE	MFF2055YE
Capacity (cu. ft.)	25 22	25	20	20
10-year limited parts warranty* on compressor				•
ENERGY STAR™ qualified	•	•		•
Meets CEE Tier standards**	Tier 1	Tier 1		Tier 2
REFRIGERATOR FEATURES				
Cooling system	Dual Cool®	Triple-Cool™	Triple-Cool™	Dual Cool®
Fits in a 30" opening				•
FreshFlow™ produce preserver				FRESH1 (W10346771A)
FreshFlow™ air filter				AIR1 (W10311524)
Contoured, french door styling	•	•	•	•
PureChill™ internal water dispenser		•	•	
PUR™ retractable water and ice filter with water filter indicator light		•	•	Ice only
Water filter cartridge replacement no.		FILTER 4 (UKF8001)	FILTER 4 (UKF8001)	FILTER 1 (W10295370)
EasyGlide™ adjustable Spill-Catcher™ glass shelves		2 Half-width	4 Half-width	1 Full-width fold away
Spill-Catcher™ glass shelves	4 Half-width adjustable, 1 Full-width fixed	2 Half-width adjustable, 1 Full-width fixed	1 Full-width fixed	1 Full-width fixed
Temperature controlled Wide-N-Fresh™ deli drawer	•	•	•	•
FreshLock™ crispers with humidity control	2	2	2	2
Specialty door bins	2 Clear gallon	2 Clear gallon	2 Clear gallon	Tilt-N-Go
Covered dairy compartment	•	•	•	
Beverage Organizer™ rack	•	•	•	
Bright white interior LED lighting	•	•	•	•
Accelerated cooling/ice mode		Max Cool / Max Ice	Max Cool / Max Ice	Speed Cool
Sabbath Mode		•	•	
FREEZER FEATURES				
Glide-out freezer drawer with SmoothClose™ drawer track system	•	•	•	•
Fast Ice accelerated ice production		•	•	
Factory-installed ice maker with ice bin	•	•	•	•
Slide-out baskets	1 Upper, 1 Lower	1 Upper, 1 Lower	1 Upper, 1 Lower	1 Upper, 1 Lower
Lower basket divider	•	•	•	•
EXTERIOR FEATURES				
Door alarm		•	•	•
QuietSeries™ sound package	•	•	•	•
Stainless finish handles†	•	•	•	•
Hidden hinges	•	•	•	•
BETTER BUILT COMPONENTS				
Strongbox™ door bins				•
Strongbox™ hinge design	•	•	•	•
Patented door seal	•	•	•	•
SPECIFICATIONS				
Overall Dimensions (Height including hinges x Width x Depth including handles)	MFF2558VE - 69-15/16" x 35-5/8" x 35-1/2" MFF2258VE - 70-1/8" x 32-5/8" x 34-1/2"	69-15/16" x 35-5/8" x 35-1/2"	69-15/16" x 35-5/8" x 29-3/8"	68-1/2" x 29-1/2" x 34-5/8"
Smooth door color options	W/B		S	W/B
Monochromatic door color option	M	M		M

Bold type indicates step-up feature

COLOR OPTIONS



W White with White Cabinet
B Black with Black Cabinet
S Stainless Steel with Black Cabinet
M Monochromatic Stainless Steel with Apollo Grey Cabinet

LIMITED PARTS WARRANTY COVERED MODELS



MFF2055YE

Visit maytag.com for warranty details.

Refrigerator interiors can be found on pages 56-57.
Accessories can be found on page 142.
Feature glossary can be found on page 14-8.
Complete product specifications can be found on page 160.

*Visit maytag.com for warranty details. **Based on the Consortium for Energy Efficiency qualifying product list. Visit cee1.org for more information. †Stainless Steel models only.



MFI2067AE

20 cu. ft. capacity
Ice₂O® Refrigerator
Counter Depth
S



MFI2269VE

22 cu. ft. capacity
Ice₂O® Refrigerator
W/B/M



MFI2665XE

26 cu. ft. capacity
Ice₂O® Refrigerator
W/B/M



MFI2670XE

26 cu. ft. capacity
Ice₂O® Refrigerator
W/B/M



NEW MFT2976AE

29 cu. ft. capacity
Ice₂O® Refrigerator
W/B/M



NEW MFX2570AE

25 cu. ft. capacity
Ice₂O® 4-Door Refrigerator
W/B/M





MFF2258VE
22 cu. ft. capacity
W/B/M



MFF2558VE
25 cu. ft. capacity
W/B/M



MFD2562VE
25 cu. ft. capacity
M



MFC2061KE
20 cu. ft. capacity
Counter Depth
S



MFF2055YE
20 cu. ft. capacity
Fits a 30" Opening
W/B/M





Bottom-Freezer Refrigerators



Clear Deli Drawer

From bacon to bologna, keep all of your sandwich fixings in one spot. This drawer is the perfect place to store deli meat and cheese.



EcoConserve® Refrigerators

All Maytag® bottom-freezer refrigerators are EcoConserve® models, ENERGY STAR® qualified and meet Tier 3* standards by the Consortium for Energy Efficiency (CEE), exceeding federal energy standards by 30% and saving even more on utility bills.



Spill-Catcher™ Glass Shelves

The sealed edges of these glass shelves help contain spills for quick and easy cleanup.



MBF1958XE
19 cu. ft. capacity
Reversible Door
W/B/S ecoconserve refrigerator



MBF2258XE
22 cu. ft. capacity
Reversible Door
W/B ecoconserve refrigerator



MBR2258XE
22 cu. ft. capacity
Right Opening Door
S ecoconserve refrigerator



MBL2258XE
22 cu. ft. capacity
Left Opening Door
S ecoconserve refrigerator

MODELS	MBF1958XE	MBF2258XE	MBR2258XE MBL2258XE
Capacity (cu. ft.)	19	22	22
ENERGY STAR® qualified	•	•	•
Meets CEE Tier standards*	Tier 3	Tier 3	Tier 3
EcoConserve® model	•	•	•
REFRIGERATOR FEATURES			
Cooling system	Dual Cool®	Dual Cool®	Dual Cool®
Spill-Catcher™ glass shelves	4 Half-width adjustable, 1 Full-width fixed	4 Half-width adjustable, 1 Full-width fixed	4 Half-width adjustable, 1 Full-width fixed
Clear deli drawer	•	•	•
Humidity controlled sealed FreshLock™ crispers	2	2	2
Specialty door bins	1 Gallon	1 Gallon	1 Gallon
Removable covered dairy compartment	•	•	•
BrightSeries™ lighting package	•	•	•
Automatic moisture control	•	•	•
FREEZER FEATURES			
Glide-out freezer drawer with SmoothClose™ drawer track system	•	•	•
Factory-installed ice maker with ice bin	•	•	•
Slide-out wire basket	2	2	2
Lower basket divider	•	•	•
EXTERIOR FEATURES			
Reversible door	•	•	•
Radius doors	•	•	•
QuietSeries™ sound package	•	•	•
BETTER BUILT COMPONENTS			
Foam-in-place insulation	•	•	•
Heavy-duty hinges	•	•	•
SPECIFICATIONS			
Overall Dimensions (Height including hinges x Width x Depth including handles)	66-15/16" x 29-5/8" x 33-3/8"	69-15/16" x 32-5/8" x 33-3/8"	69-15/16" x 32-5/8" x 33-3/8"
Smooth door color options	W/B	W/B	S**
Stainless door color option	S		

Bold type indicates step-up feature

COLOR OPTIONS



W White with White Cabinet
B Black with Black Cabinet
S Stainless Steel with Black Cabinet

Refrigerator interiors can be found on pages 60–61.
Accessories can be found on page 142.
Feature glossary can be found on page 148.
Complete product specifications can be found on page 161.

*Based on the Consortium for Energy Efficiency qualifying product list. Visit cee1.org for more information.
**Stainless Steel versions: specify right-swing door (MBR2258XE) or left-swing door (MBL2258XE) when ordering.

Model shown: MBR2258XE
NOTE: Not all features are available on all models.
*Based on the Consortium for Energy Efficiency qualifying product list. Visit cee1.org for more information.



MBF1958XE
 19 cu. ft. capacity
 Reversible Door
 W/B/S 



MBF2258XE
 22 cu. ft. capacity
 Reversible Door
 W/B 



MBR2258XE
 22 cu. ft. capacity
 Right Opening Door
 S 



MBL2258XE
 22 cu. ft. capacity
 Left Opening Door
 S 



Side-by-Side

Refrigerators

Model shown: MSF22C2EXM



Fill-N-Chill™ Dispenser

The Fill-N-Chill™ dispenser gives you access to ice and water at the same time, making it easy to fit and quickly fill tall containers.



Tall Single Pad Dispenser with LCD Screen

A single pad dispenser gives you easy access to ice and water, even for glasses and pitchers up to 9 inches tall. Exterior electronic temperature controls allow you to adjust the temperature of the refrigerator or freezer without opening the door. And thanks to control lock, you don't have to worry about accidentally changing the temperature.



Store-N-Door® Dispensing System

By putting the ice bin in the door, we've given you 15% more usable freezer storage space.* The ice bin is also removable, making it perfect for filling large containers like blenders.



Right Size Ice Cubes

These smaller ice cubes are simply perfect and are an ideal fit for refillable water bottles and easier to blend for smoothies.



ENERGY STAR® Qualified

All Maytag® side-by-side refrigerators are ENERGY STAR® qualified and meet the Tier 1** standards of the Consortium for Energy Efficiency (CEE).



NOTE: Not all features are available on all models.
*Compared to 25 cu. ft. Maytag® models with conventional ice makers.
**Based on the Consortium for Energy Efficiency qualifying product list. Visit cee1.org for more information.



MSD2273VE
22 cu. ft. capacity
W/B/S



MSF22C2EX
22 cu. ft. capacity
W/B/M



MODELS	MSD2273VE	MSF22C2EX
Capacity (cu. ft.)	22	22
ENERGY STAR [®] qualified	•	•
Meets CEE Tier standards*	Tier 1	Tier 1
REFRIGERATOR FEATURES		
PUR [™] push-button water and ice filter with water filter indicator light	•	•
Water filter cartridge replacement no.	FILTER 3 (4396841)	FILTER 3 (4396841)
Store-N-Door [™] dispensing system	•	•
Exterior ice and water dispenser with night-light	•	•
Spill-Catcher [™] glass shelves	3 Adjustable, 1 Fixed	2 Adjustable, 1 Fixed
Slide-out snack drawer	•	•
Humidity controlled	•	•
Sealed FreshLock [™] crispers	•	•
Adjusti-Temp [™] deli drawer	•	•
Covered dairy compartment	•	•
Specialty door bins	3 Clear gallon	3 Clear gallon
BrightSeries [™] lighting package	•	•
Up-front sliding temperature controls	•	•
FREEZER FEATURES		
Right Size ice cubes and crushed ice	•	•
Adaptive Defrost system	•	•
Freezer lighting	•	•
Wire freezer shelves	3 Fixed	2 Adjustable, 2 Fixed
Plastic freezer basket	1	1
Factory-installed ice maker with auger and ice bin	•	•
Freezer door shelves	4 Standard	3 Standard, 1 Mini
EXTERIOR FEATURES		
Electronic control system	Push button	Push button
Control lock	•	•
Built-in surge protector	•	•
BETTER BUILT COMPONENTS		
Durable metal handles**	•	•
SPECIFICATIONS		
Overall Dimensions (Height including hinges x Width x Depth including handles)	66-3/4" x 32-3/4" x 33-7/8"	66-3/4" x 32-3/4" x 33-3/4"
Smooth door color options	W/B	W/B
Stainless door color option	S	M

Bold type indicates step-up feature

COLOR OPTIONS



W White with White Cabinet
B Black with Black Cabinet
S Stainless Steel with Black Cabinet
M Monochromatic Stainless Steel with Apollo Grey Cabinet

Refrigerator interiors can be found on pages 68-69.
 Accessories can be found on page 142.
 Feature glossary can be found on page 148.
 Complete product specifications can be found on page 161.

*Based on the Consortium for Energy Efficiency qualifying product list. Visit cee1.org for more information. **Stainless Steel models only.



NEW MSF25D2EA

25 cu. ft. capacity
W/B/S



MSF25C2EX

25 cu. ft. capacity
W/B/M



MSD2573VE

25 cu. ft. capacity
W/B/S



NEW MSB27C2XA

27 cu. ft. capacity
W/B/M



MODELS	NEW MODEL MSF25D2EA	MSF25C2EX	MSD2573VE	NEW MODEL MSB27C2XA
Capacity (cu. ft.)	25	25	25	27
10-year limited parts warranty* on compressor				•
ENERGY STAR® qualified	•	•	•	•
Meets CEE Tier standards**	Tier 1	Tier 1	Tier 1	Tier 3
REFRIGERATOR FEATURES				
PUR™ push-button water and ice filter with water filter indicator light	•	•	•	•
Water filter cartridge replacement no.	FILTER 3 (4396841)	FILTER 3 (4396841)	FILTER 3 (4396841)	FILTER 1 (W10295370)
Store-N-Door® dispensing system		•		
Exterior ice and water dispenser with night-light	•	•	•	•
Speed Cool				•
Spill-Catcher™ glass shelves	3 Adjustable	2 Adjustable, 1 Fixed	3 Adjustable, 1 Fixed	3 Adjustable
Slide-out snack drawer		•	•	•
Humidity controlled				•
Sealed FreshLock™ crisper	•	•	•	•
Adjusti-Temp™ deli drawer		•	•	•
Covered dairy compartment	•	•	•	•
Specialty door bins	3 Gallon	3 Clear gallon	3 Clear gallon	3 Clear gallon
BrightSeries™ lighting package			•	LED
Up-front sliding temperature controls	•	•	•	External
FREEZER FEATURES				
Right Size ice cubes and crushed ice	•	•	•	•
Fast ice accelerated ice production				•
Adaptive Defrost system	•	•	•	•
Freezer lighting	•	•	•	•
Freezer shelves	3 Fixed wire	2 Adjustable, 2 Fixed wire	3 Fixed wire	3 Adjustable glass
Plastic freezer basket	•	•	•	•
Factory-installed ice maker with auger and ice bin	•	•	•	•
Freezer door shelves	4 Standard, 1 Mini	3 Standard, 1 Mini	4 Standard	3 Standard
EXTERIOR FEATURES				
Exterior temperature controls				•
Electronic control system	Push button	Push button	Push button	Tap Touch
Door open alarm				•
Control lock	•	•	•	•
Built-in surge protector	•	•	•	•
BETTER BUILT COMPONENTS				
Durable metal handles†	•	•	•	•
Hidden hinges				•
SPECIFICATIONS				
Overall Dimensions (Height including hinges x Width x Depth including handles)	69-3/4" x 35-1/2" x 33-3/4"	69-5/8" x 35-1/2" x 33-1/4"	69-5/8" x 35-1/2" x 33-3/4"	69" x 35-1/2" x 34"
Smooth door color options	W/B	W/B	W/B	W/B
Stainless door color option	S	M	S	M

Bold type indicates step-up feature

COLOR OPTIONS



- W** White with White Cabinet
- B** Black with Black Cabinet
- S** Stainless Steel with Black Cabinet
- M** Monochromatic Stainless Steel with Apollo Grey Cabinet

Refrigerator interiors can be found on pages 68–69.
Accessories can be found on page 142.
Feature glossary can be found on page 148.
Complete product specifications can be found on page 161.

*Visit maytag.com for warranty details. **Based on the Consortium for Energy Efficiency qualifying product list. Visit cee1.org for more information. †Stainless Steel models only.



MSD2273VE
22 cu. ft. capacity
W/B/S



MSF22C2EX
22 cu. ft. capacity
W/B/M



NEW MSF25D2EA
25 cu. ft. capacity
W/B/S



MSF25C2EX
25 cu. ft. capacity
W/B/M



MSD2573VE
25 cu. ft. capacity
W/B/S



NEW MSB27C2XA
27 cu. ft. capacity
W/B/M



Top-Freezer

Refrigerators

Model shown: M1BXXGYM



Strongbox™ Door Bins

Strongbox™ door bins are 50 times stronger than standard door bins in other refrigerators so you can confidently load them up with bottles, jugs and other containers.



10-Year Limited Parts Warranty*

Maytag® top-freezer refrigerators offer a 10-year limited parts warranty on the refrigerator compressor.† Your refrigerator will be able to keep things cool even when it's fully loaded with groceries, thanks to a compressor that's built to last.



Visit maytag.com for warranty details.



FreshFlow™ Produce Preserver

Produce Preserver packets used in the crisper help absorb the ethylene gas that causes fruit and vegetables to over ripen, extending the freshness of produce up to 4 days longer.** Replace packet every six months for optimal performance.



Humidity Controlled FreshLock™ Crispers

These sealed crispers give you plenty of storage space, while the humidity control helps prolong the freshness of your fruits and vegetables.



Industry-Exclusive Full-Width Fold-Away Shelf

The shelf's design makes it easy to store taller items on the shelf below. Unlike other brands, the fold-away section extends the entire width of the shelf, so you'll always have room for tall bottles and pitchers.

NOTE: Not all features are available on all models. *Visit maytag.com for warranty details. **Based on commonly purchased produce.



NEW M4TXNWFY
14 cu. ft. capacity
W/B



NEW M8RXEGMA
18 cu. ft. capacity
W/B/S



M9BXXGMY
19 cu. ft. capacity
W/B/M



ecoconserve
refrigerator



M1TXEGMY
21 cu. ft. capacity
W/Q/B/S



M1BXXGMY
21 cu. ft. capacity
W/B/M



ecoconserve
refrigerator

MODELS	NEW MODEL				
	M4TXNWFY	M8RXEGMA	M9BXXGMY	M1TXEGMY	M1BXXGMY
Capacity (cu. ft.)	14	18	19	21	21
10-year limited parts warranty* on compressor					
ENERGY STAR® qualified		•	•	•	•
Meets CEE Tier standards**		Tier 1	Tier 3	Tier 1	Tier 3
EcoConserve® model			•		•
ADA compliant†	•		•	•	•
REFRIGERATOR FEATURES					
FreshFlow™ produce preserver			FRESH1 (W10346771A)		FRESH1 (W10346771A)
FreshFlow™ air filter			AIR1 (W10311524)		AIR1 (W10311524)
Speed Cool			•		•
Cool Flow™ ventilation			•		•
Up-front controls	Single knob	Single knob	Electronic	Single knob	Electronic
Fold-away shelf			1 Full-width		1 Full-width
Spill-Catcher™ glass shelves	1 Full-width fixed	2 Full-width adjustable, 1 crisper cover	1 Full-width adjustable, 1 Full-width fixed	2 Full-width adjustable, 1 Full-width fixed	1 Full-width adjustable, 1 Half-width adjustable, 1 Full-width fixed
Wire shelves	2 Full-width adjustable				
Crispers	2 Half-width	2 FreshLock™ humidity-controlled Split-width	2 FreshLock™ humidity-controlled Split-width	2 humidity-controlled FreshLock™ Split-width	2 humidity-controlled FreshLock™ Split-width
Clear deli drawer			•	•	•
Specialty door bins		3 Clear adjustable gallon	3 Clear adjustable gallon, 1 Easy Access tilt out	3 Adjustable gallon	3 Clear adjustable gallon, 1 Easy Access tilt out
Full-width, gallon door shelf	•	•			
Full-width, standard door shelf	•	•	•	•	•
Covered dairy compartment	•	•	•	•	•
Flip-up utility shelf				•	•
Automatic moisture control			•	•	•
FREEZER FEATURES					
Ice maker	Kit No. CKMF94	Factory-installed	Factory-installed	Factory-installed	Factory-installed
Shelf	Half-width wire	Full-width glass	Full-width wire	Full-width wire	Full-width wire
EXTERIOR FEATURES					
Reversible doors	•	•	Door reversal kit W10395149	•	Door reversal kit W10395149
Door style	Flat	Contoured	Beveled	Flat	Beveled
BETTER BUILT COMPONENTS					
Strongbox™ door bins			•		•
Foam-in-place insulation	•	•	•	•	•
Heavy-duty hinges	•	•	•	•	•
SPECIFICATIONS					
Overall Dimensions (Height including hinges x Width x Depth including handles)	62-3/4" x 28" x 31-1/2"	68" x 28" x 30-3/8"	66-1/3" x 29-1/2" x 33-7/8"	66-1/3" x 32-1/2" x 32-3/4"	66-1/3" x 32-1/2" x 34"
Smooth door color options		W/B	W/B	W/Q/B	W/B
Textured door color options	W/B				
Stainless door color option		S	M	S	M

Bold type indicates step-up feature

COLOR OPTIONS



- W** White with White Cabinet
- Q** Bisque with Bisque Cabinet
- B** Black with Black Cabinet
- S** Stainless Steel with Black Cabinet
- M** Monochromatic Stainless Steel with Apollo Grey Cabinet

LIMITED PARTS WARRANTY COVERED MODELS



M9BXXGMY
M1BXXGMY

Visit maytag.com for warranty details.

Refrigerator interiors can be found on pages 74-75.
Accessories can be found on page 142.
Feature glossary can be found on page 148.
Complete product specifications can be found on page 162.

*Visit maytag.com for warranty details. **Based on the Consortium for Energy Efficiency qualifying product list. Visit cee1.org for more information.
†Model meets ADA push/pull force and reach range guidelines and must be installed in compliance with current ADA Standards.



NEW M4TXNWFY

14 cu. ft. capacity
W/B



NEW M8RXEGMA

18 cu. ft. capacity
W/B/S



M9BXXGMY

19 cu. ft. capacity
W/B/M



ecoconserve
refrigerator



M1TXEGMY

21 cu. ft. capacity
W/Q/B/S



M1BXXGMY

21 cu. ft. capacity
W/B/M



ecoconserve
refrigerator

Accessories can be found on page 142.
Feature glossary can be found on page 148.
Complete product specifications can be found on page 162.



Specialty Refrigeration



MBCM24FWB
5.8 cu. ft. capacity
Stainless Steel



MURM24FWB
5.7 cu. ft. capacity
Stainless Steel



BEVERAGE CENTER MODEL	MBCM24FWB
Capacity (cu. ft.)	5.8
Wine rack capacity (bottles)	12
Dual temperature zones	Top 38-48°F, Bottom 50-70°F
Reversible-swing door	•
LED temperature display with dimmer	•
Removable, tempered-glass shelves	2
Auto defrost	•
UV-protected thermal glass door	•
Interior light	•
Exterior temperature control	•
Stainless steel exterior	•
BETTER BUILT COMPONENTS	
High-efficiency compressor	•
Heavy-duty hinges	•
Stainless steel handle	•
SPECIFICATIONS	
Overall Dimensions (Height x Width x Depth including handle)	34-5/8" - 35-1/8" x 23-3/4" x 26-13/16"
Color option	S

REFRIGERATOR MODEL	MURM24FWB
Capacity (cu. ft.)	5.7
ENERGY STAR [®] qualified	•
Clear door bins	3
Removable, tempered-glass shelves	3
Frost-free design	•
Reversible-swing door	•
Interior light	•
Temperature range	34-50°F
Exterior temperature control	•
Stainless steel exterior	•
BETTER BUILT COMPONENTS	
High-efficiency compressor	•
Heavy-duty hinges	•
Stainless steel handle	•
SPECIFICATIONS	
Overall Dimensions (Height x Width x Depth including handle)	34-5/8" - 35-1/8" x 23-3/4" x 26-13/16"
Color option	S



Beverage Center

Store 12 standard bottles of wine and a variety of food and other beverages in two different temperature zones.



Refrigerator

Keep food and beverages nearby and save money on utility bills with this ENERGY STAR[®] qualified refrigerator.



Ice Maker

Make entertaining a breeze by producing up to 50 lbs of clear ice every 24 hours and storing up to 25 lbs of ice at any time.



MIM1554XR MIM1555YR

25-lb storage capacity
Stainless Steel

ICE MAKER MODELS	MIM1554XR	MIM1555YR
Ice condensate pump (part no.)	Optional (1901)	Included (1901)
24-hour ice production	up to 50 lbs	up to 50 lbs
Fast Ice	•	•
Ice storage capacity	up to 25 lbs	up to 25 lbs
Reversible-swing door	•	•
Ice scoop with holder	•	•
Clean cycle with indicator light	•	•
Cleaning needed status light	•	•
Auto ice level control/shutoff	•	•
Service indicator light	•	•
Interior light	•	•
Automatic Rinse cycle	•	•
Stainless steel exterior	•	•
ACCESSORIES		
Stainless steel trim kit	8171347	8171347
Stainless steel filler kit	8171487	8171487
BETTER BUILT COMPONENTS		
High-efficiency compressor	•	•
Heavy-duty hinges	•	•
SPECIFICATIONS		
Overall Dimensions (Height x Width x Depth including handle)	33-5/8" - 34-3/8" x 14-7/8" x 24-3/8"	33-5/8" - 34-3/8" x 14-7/8" x 24-3/8"
Color option	S	S

Bold type indicates step-up feature

Accessories can be found on page 142.
Feature glossary can be found on page 148.
Complete product specifications can be found on page 162.

Model shown: MBCM24FWBS
NOTE: Not all features are available on all models.



Model shown: MDB8959SAS

Count on the cleaning power and performance of Maytag® dishwashers.
Because spotty glasses are clearly unacceptable



VIDEO



Integrated Console Dishwashers
84



Traditional Console Dishwashers
86



NEW Jetclean® Plus Steam cycle

OUR BEST PERFORMING DISH CYCLE EVER

The new Jetclean® Plus Steam cycle cleans everything from your messiest pans to your finest stemware. High pressure spray jets and increased temperatures power off tough, stuck-on food. Then, finishing steam helps clean and reduce spots on glassware.



[+ DEMO VIDEO](#)



Dishwashers

Model shown: MDB8959SAS



Jetclean® Plus Steam Cycle

Cleans everything from your messiest pans to your finest stemware. High pressure spray jets and increased temperatures power off tough, stuck-on food while finishing steam helps clean and reduce spots on glassware.



2X Life* Tested Motor

Every Maytag® dishwasher includes the industry's most powerful motor available** that has also been tested to twice the average dishwasher life expectancy† to deliver years of dependable cleaning.



Tiered Upper Rack

With an improved design, this upper rack holds tall items like 9" plates and glasses while providing easy access. It also creates enough room in the lower rack to vertically place two 9" x 13" pans.



10-Year Limited Parts Warranty†

The nylon racks, 4-blade stainless steel chopper and corrosion-resistant stainless steel tub on select dishwashers are all backed by a 10-year limited parts warranty† for dependable, long-lasting performance.



Auto Clean Cycle

Gauges the soil level of the load, then automatically adjusts temperature, wash time and the number of fills accordingly. This helps achieve optimal cleaning without overusing resources.

NOTE: Not all features are available on all models. *Twice life testing based on accelerated 20-year life testing, normal cycle, average use. **Among leading brands. †Visit maytag.com for warranty details.

+ OPEN VIEW

+ OPEN VIEW

NEW MDB6769PA
Jetclean® Plus Dishwasher
W/B/S



NEW MDB7759SA
Jetclean® Plus Dishwasher
W/B/S



+ OPEN VIEW

NEW MDB8959SA
Jetclean® Plus Dishwasher
W/B/S



MODELS	NEW MODELS		
	MDB6769PA	MDB7759SA	MDB8959SA
10-year limited parts warranty* on nylon racks, stainless steel tub and 4-blade stainless steel chopper		•	•
Jetclean® Plus wash system	•	•	•
ENERGY STAR® qualified	•	•	•
OverSize Capacity Plus tall tub	•	•	•
Jetclean® Plus Steam cycle	•	•	•
Cycles/Options	6/6	6/6	6/7
Place setting capacity	14	14	15
Tub interior	Armor	100% Stainless Steel	100% Stainless Steel
Easy-close latch	•	•	•
QuietSeries™ sound package	57 dBA	53 dBA	50 dBA
30-Day Quiet Guarantee**		•	•
WASH SYSTEM			
Wash levels	3	3	3
High-pressure spray jets	•	•	•
Rinse-aid dispenser	•	•	•
CONTROL FEATURES			
Fully integrated controls	•	•	•
Microprocessor controls with touch pad	•	•	•
Automatic temperature control	•	•	•
Precision Clean™ turbidity sensor	•	•	•
ADDITIONAL CYCLES			
Auto Clean	•	•	•
Normal Wash	•	•	•
Light Wash	•	•	•
Rinse Only	•	•	•
Quick Wash	•	•	•
OPTIONS			
ToughScrub™ Plus			•
ToughScrub™	•	•	•
Steam Sanitize	•	•	•
Hi-Temp Wash	•	•	•
Heated Dry	•	•	•
Extra Dry			•
Delay Start	2/4/8 Hour	2/4/8 Hour	2/4/8 Hour
Control lock	•	•	•
RACK FLEXIBILITY			
Premium dark DuraGuard® nylon racks	•	•	•
Ball tip tines	•	•	•
Strong Grip tiered upper rack	•	•	•
Premium adjustable upper rack			•
Adjustable, removable upper rack	•	•	•
Upper rack light item clips			2
Upper rack cup shelf	•	•	•
High-side lower rack with Stack-Rack shelves			•
Lower rack fold-away tines			•
Split & Fit™ silverware basket	•	•	•
BETTER BUILT COMPONENTS			
2X Life† tested motor	•	•	•
4-blade stainless steel chopper	•	•	•
SPECIFICATIONS			
Overall Dimensions (Height x Width x Depth)	33-7/8" – 34-1/2" x 23-7/8" x 24-1/2"	33-7/8" – 34-1/2" x 23-7/8" x 24-1/2"	33-7/8" – 34-1/2" x 23-7/8" x 24-1/2"
Color options	W/B/S	W/B/S	W/B/S

Bold type indicates step-up feature

COLOR OPTIONS



W White **B** Black **S** Stainless Steel

LIMITED PARTS WARRANTY & 30-DAY QUIET GUARANTEE COVERED MODELS



Visit maytag.com for warranty details.

MDB7759SA
MDB8959SA



30-Day Quiet Guarantee valid through 12/31/12, visit maytag.com for details.

MDB7759SA
MDB8959SA

Accessories can be found on page 144.
Feature glossary can be found on page 148.
Complete product specifications can be found on page 164.

*Visit maytag.com for warranty details. **30-Day Quiet Guarantee valid through 12/31/12, visit maytag.com for details.
†Twice life testing based on accelerated 20-year life testing, normal cycle, average use.

+ OPEN VIEW

NEW MDB4409PA
Jetclean® Plus Dishwasher
W/B/S



+ OPEN VIEW

NEW MDB7749SA
Jetclean® Plus Dishwasher
W/Q/B/M



NEW MDB4709PA
Jetclean® Plus Dishwasher
W/Q/B/M



+ OPEN VIEW

MODELS	NEW MODELS		
	MDB4409PA	MDB4709PA	MDB7749SA
10-year limited parts warranty* on nylon racks, stainless steel tub and 4-blade stainless steel chopper			•
Jetclean® Plus wash system	•	•	•
ENERGY STAR® qualified	•	•	•
Oversize Capacity Plus tall tub	•	•	•
Jetclean® Plus Steam cycle			•
Cycles/Options	5/4	5/5	6/6
Place setting capacity	10	12	14
Tub interior	White plastic	Armor gray	100% Stainless Steel
Easy-close latch	•	•	•
QuietSeries™ sound package	59 dBA	57 dBA	53 dBA
30-Day Quiet Guarantee™			•
WASH SYSTEM			
Wash levels	2	3	3
High-pressure spray jets	•	•	•
Rinse-aid dispenser	•	•	•
CONTROL FEATURES			
Console	6"	2-1/2" flush	2-1/2" flush
Microprocessor controls with touch pads	•	•	•
Automatic temperature control	•	•	•
Precision Clean™ turbidity sensor		•	•
ADDITIONAL CYCLES			
Auto Clean			•
Heavy Wash	•	•	•
Normal Wash	•	•	•
Light Wash	•	•	•
Rinse Only	•	•	•
Quick Wash		•	•
1-Hour Wash	•		
OPTIONS			
ToughScrub™			•
Steam Sanitize		•	•
Hi-Temp Wash	•	•	•
Hi-Temp Rinse	•		
Heated Dry	•	•	•
Delay Start	4-Hour	2 1/4 Hour	2 1/4 Hour
Control lock		•	•
RACK FLEXIBILITY			
Vinyl racks	•		
Premium dark DuraGuard™ nylon racks		•	•
Ball tip tines		•	•
Tiered upper rack		•	•
Adjustable, removable upper rack		•	•
Upper rack cup shelf		•	•
Silverware basket	Standard	Standard	Split & Fit™
BETTER BUILT COMPONENTS			
2X Life† tested motor	•	•	•
4-blade stainless steel chopper	•	•	•
SPECIFICATIONS			
Overall Dimensions (Height x Width x Depth)	33-7/8" – 34-1/2" x 23-7/8" x 24-1/2"	33-7/8" – 34-1/2" x 23-7/8" x 24-1/2"	33-7/8" – 34-1/2" x 23-7/8" x 24-1/2"
Color options	W/B/S	W/Q/B/M	W/Q/B/M

Bold type indicates step-up feature

COLOR OPTIONS



W White **Q** Bisque **B** Black **S** Stainless Steel **M** Monochromatic Stainless Steel

LIMITED PARTS WARRANTY & 30-DAY QUIET GUARANTEE COVERED MODELS



Visit maytag.com for warranty details.

MDB7749SA



30-Day Quiet Guarantee valid through 12/31/12, visit maytag.com for details.

MDB7749SA

Accessories can be found on page 144.
Feature glossary can be found on page 148.
Complete product specifications can be found on page 164.

*Visit maytag.com for warranty details. **30-Day Quiet Guarantee valid through 12/31/12, visit maytag.com for details.
†Twice life testing based on accelerated 20-year life testing, normal cycle, average use.

+ OPEN VIEW

MODEL	NEW MODEL MDC4809PA
Jetclean® Plus wash system	•
ENERGY STAR® qualified	•
Oversize Capacity Plus tall tub	•
Cycles/Options	5/4
Place setting capacity	10
Tub interior	White
Active-door latch system	•
QuietSeries™ sound package	61 dBA
WASH SYSTEM	
Wash levels	2
High-pressure spray jets	•
Rinse-aid dispenser	•
CONTROL FEATURES	
Microprocessor controls with touch pads	•
Automatic temperature control	•
CYCLES	
Heavy Wash	•
Normal Wash	•
Light Wash	•
Rinse Only	•
1-Hour Wash	•
OPTIONS	
Hi-Temp Wash	•
Sani Rinse	•
Heated Dry	•
Delay Start	4-Hour
RACK FLEXIBILITY	
Vinyl racks	•
One-piece, removable silverware basket	•
BETTER BUILT COMPONENTS	
2X Life* tested motor	•
4-blade stainless steel chopper	•
SPECIFICATIONS	
Overall Dimensions (Height x Width x Depth including console)	37" x 24" x 27-1/2"
Color options	W/B

COLOR OPTIONS



W
White

B
Black

NEW PORTABLE DISHWASHER



TRASH COMPACTOR

MODEL	MTUC7000AW
Capacity (cu. ft.)	1.4
Undercounter	•
Removable knob	On/Off/Start
Solid Pack feature	On/Off
Wrap-around drawer panel	•
Zinc-coated frame, base and interior	•
Bag retainer buttons	•
Side release bin	•
Drawer opener pedal	•
1/3-HP motor	•
5-to-1 compaction ratio	•
QuietSeries™ sound package	•
Front levelers/Rear rollers	•
Fan with charcoal filter	•
Plastic bags	•
SPECIFICATIONS	
Overall Dimensions (Height x Width x Depth including console)	34-1/8" – 34-1/2" x 15" x 24"
Color options	W/B/S

COLOR OPTIONS



W
White

B
Black

S
Stainless Steel

NOTE: The portable dishwasher's side panel color matches the color of the front panel.
*Twice life testing based on accelerated 20-year life testing, normal cycle, average use.

Accessories can be found on page 144.
Feature glossary can be found on page 148.



Count on the performance, size and flexibility of Maytag® cooking appliances.

Because your Uncle Al is also known as Uncle All You Can Eat



Gemini® Double Oven
Ranges

92



Freestanding
Ranges

100



Slide-In
Ranges

106



Over-the-Range
Microwaves

110



Gemini®
Double Oven Ranges

Model shown: MGT8775XS



Industry's Largest Available Oven Capacity*

At 6.7 cu. ft. (electric) and 6.0 cu. ft. (gas), Gemini® double oven ranges offer the industry's largest available oven capacity.† With even more room to cook multiple dishes at once, these ranges are perfect for large gatherings and every day in between.



Power Preheat

Preheat the upper oven on Gemini® electric ranges up to 40% faster than full-size conventional Maytag® ovens** to help prepare meals quicker.



10-Year Limited Parts Warranty†

Components covered by this 10-year limited parts warranty† include electric oven and cooktop elements and the ceramic glass cooktop, as well as the gas oven and cooktop burners and cast-iron grates.



Visit maytag.com for warranty details.



Power Center Cooktops

These 4 or 5 burner Power Center cooktops combine high-heat features such as the 16,000-BTU Speed Heat™ burner, a 15,000-BTU Power Cook burner or a 7,350-BTU griddle burner for flexible cooking options. Gemini® gas ranges have more usable cooktop space now that the knobs have been relocated. On electric models, high-heat features such as the industry's most powerful 3,200-watt Speed Heat™ element,†† Dual-Choice™ and Triple-Choice™ elements, or an 8" bridge element create these versatile 4 or 5 element Power Center cooktops.



EvenAir™ True Convection with Third Element and Auto Conversion

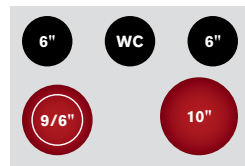
With convection, you'll be able to roast up to 30% faster than a standard oven, while getting uniform browning and outstanding baking performance. Plus, Auto Conversion converts standard time and temperatures to their convection equivalents, making sure your legendary family recipes come out perfect.

NOTE: Not all features are available on all models. *Among leading brands, based on total capacity of both ovens. **Upper oven preheat compared to a conventional 5.3 cu. ft. oven. †Visit maytag.com for warranty details. ††Among leading brands, non-induction elements.

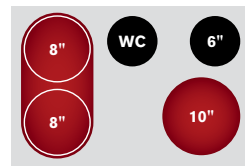


+ OPEN VIEW

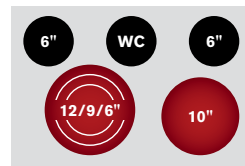
MET8665X
6.7 cu. ft. capacity
W/B/S



MET8775X
6.7 cu. ft. capacity
W/B/S



MET8885X
6.7 cu. ft. capacity
W/B/S



MODELS	MET8665X	MET8775X	MET8885X
10-year limited parts warranty* on cooktop and oven elements and ceramic glass cooktop	•	•	•
OVEN FEATURES			
Upper oven capacity (cu. ft.)	2.5	2.5	2.5
Lower oven capacity (cu. ft.)	4.2	4.2	4.2
Total capacity (cu. ft.)	6.7	6.7	6.7
EvenAir™ convection (lower oven)		•	
EvenAir™ true convection with third element (lower oven)			•
Auto-lock Self-cleaning ovens with adjustable levels (both ovens)	•	•	•
Power Preheat	•	•	•
Hidden bake element		•	•
Precision Cooking™ system with Precise Preheat , Precise Bake and Precise Broil (both ovens)	•	•	•
High/low variable broil (both ovens)	•	•	•
Control lockout	•	•	•
Sabbath Mode	•	•	•
Racks (upper oven)	1 Standard	1 Standard	1 Standard
Racks (lower oven)	2 Standard	2 Standard	2 Standard
Rack positions	2 Upper/5 Lower	2 Upper/5 Lower	2 Upper/5 Lower
POWER CENTER FEATURES			
9 1/2" 3,000/1,400-watt Dual-Choice™ radiant element	LF		
12 1/2" 9 1/2" 2,700/1,950/1,050-watt Triple-Choice™ radiant element			LF
10", 3,200-watt Speed Heat™ radiant element	RF	RF	RF
Bridge radiant element		Left	
COOKTOP FEATURES			
6", 700-watt radiant element	RR	RR	RR
6", 1,200-watt radiant element	LR		LR
8", 1,800-watt radiant element		LF, LR	
100-Watt Precision Warming™ center	Center	Center	Center
Hot surface indicator light	•	•	•
CONTROL FEATURES			
Reliable Electronic Touch oven controls	•	•	•
Display readout	Amber	Amber	Amber
Keep Warm™ and Delay Bake/Clean settings	•	•	•
EXTERIOR FEATURES			
Glass-front oven doors†	•	•	•
DuraClean™ smooth-gloss backguard	•	•	•
Stainless steel-wrapped backguard	Stainless Steel model	Stainless Steel model	Stainless Steel model
BETTER BUILT COMPONENTS			
Heavy-duty door hinges	•	•	•
Durable metal door handles†	•	•	•
Shatter-resistant cooktop	•	•	•
SPECIFICATIONS			
Overall Dimensions (Height x Width x Depth including handles)	47-1/8" x 29-15/16" x 28-1/2"	47-1/8" x 29-15/16" x 28-1/2"	47-1/8" x 29-15/16" x 28-1/2"
Color options	W/B/S	W/B/S	W/B/S

Bold type indicates step-up feature

COLOR OPTIONS



W White
B Black
S Stainless Steel

LIMITED PARTS WARRANTY COVERED MODELS



MET8665X
MET8775X
MET8885X

Visit maytag.com for warranty details.

Accessories can be found on page 146.
Feature glossary can be found on page 148.
Complete product specifications can be found on page 165.

*Visit maytag.com for warranty details.
**Stainless Steel models have chamfered door edges. †Stainless Steel models only.

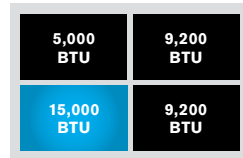


+ OPEN VIEW

+ OPEN VIEW

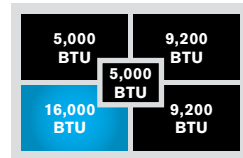
MGT8655X

6.0 cu. ft. capacity
W/B/S



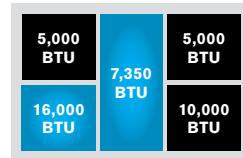
MGT8775X

6.0 cu. ft. capacity
W/B/S



MGT8885X

6.0 cu. ft. capacity
W/B/S



MODELS	MGT8655X	MGT8775X	MGT8885X
10-year limited parts warranty* on cooktop and oven burners and cast-iron grates	•	•	•
OVEN FEATURES			
Upper oven capacity (cu. ft.)	2.1	2.1	2.1
Lower oven capacity (cu. ft.)	3.9	3.9	3.9
Total capacity (cu. ft.)	6.0	6.0	6.0
EvenAir™ convection (lower oven)		•	
EvenAir™ true convection with third element (lower oven)			•
Auto-lock Self-cleaning ovens with adjustable levels (both ovens)	•	•	•
Power Preheat	•	•	•
Hidden bake element	•	•	•
Precision Cooking™ system with Precise Preheat, Precise Bake and Precise Broil (both ovens)	•	•	•
High/low variable broil (upper oven)	•	•	•
Closed-door broiling (upper oven)	•	•	•
Control lockout	•	•	•
Sabbath Mode	•	•	•
Racks (upper oven)	1 Standard	1 Standard	1 Standard
Racks (lower oven)	2 Standard	2 Standard	2 Standard
Rack positions	2 Upper/5 Lower	2 Upper/5 Lower	2 Upper/5 Lower
POWER CENTER FEATURES			
15,000-BTU Power Cook burner	LF		
16,000-BTU Speed Heat™ burner		LF	LF
7,350-BTU Griddle burner (griddle included)			Center
COOKTOP FEATURES			
5,000-BTU burner	LR	LR	LR, RR
9,200-BTU burner	RR, RF	RR, RF	
10,000-BTU burner			RF
5,000-BTU 5th burner		Center	
DuraClean™ cast-iron burner grates	Full-width	Full-width	Full-width
DuraClean™ lift-off burner caps	•	•	•
Sealed surface burners	•	•	•
CONTROL FEATURES			
Reliable Electronic Touch oven controls	•	•	•
Display readout	Amber	Amber	Amber
Keep Warm™ and Delay Bake/Clean settings	•	•	•
Electronic ignition	•	•	•
EXTERIOR FEATURES			
Glass-front oven doors†	•	•	•
DuraClean™ smooth-gloss backguard	•	•	•
Stainless steel-wrapped backguard	Stainless Steel model	Stainless Steel model	Stainless Steel model
BETTER BUILT COMPONENTS			
Heavy-duty door hinges	•	•	•
Durable metal door handles†	•	•	•
Cast-iron burner grates	•	•	•
SPECIFICATIONS			
Overall Dimensions (Height x Width x Depth including handles)	47-1/8" x 29-15/16" x 28-1/2"	47-1/8" x 29-15/16" x 28-1/2"	47-1/8" x 29-15/16" x 28-1/2"
Color options	W/B/S	W/B/S	W/B/S

Bold type indicates step-up feature

COLOR OPTIONS



W White **B** Black **S** Stainless Steel

LIMITED PARTS WARRANTY COVERED MODELS



MGT8655X
MGT8775X
MGT8885X

Visit maytag.com for warranty details.

Accessories can be found on page 146.
Feature glossary can be found on page 148.
Complete product specifications can be found on page 165.

NOTE: All gas ranges can be converted for use with LP gas.
*Visit maytag.com for warranty details. **Stainless Steel models have chamfered door edges. †Stainless Steel models only.



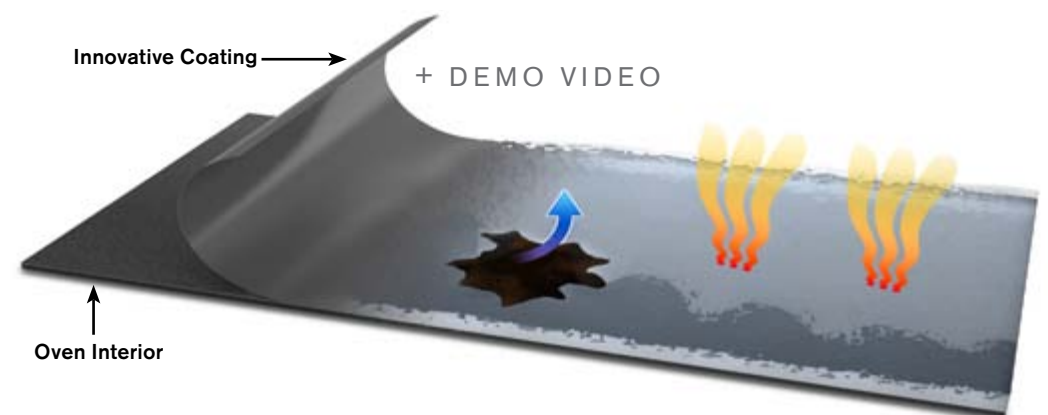
Model shown: MGR8880AS

AquaLift™
technology

NEW AquaLift™ self-clean technology

THE NEXT GENERATION OF SELF CLEANING

This innovative coating activates with water and low-temperature heat, detaching baked-on soils from underneath.



Saves time with 50% faster results than a typical self-clean cycle!* Clean your oven in less than an hour.

No odor because this technology helps keep the oven clean without the use of chemicals or fumes.

Low heat is all that's needed, and it's over 50% less than a typical self-clean cycle** that can get up to 800°F.

*Based on cycle times on moderately soiled cavity. **Compared to traditional self-cleaning temperatures in the oven center.



Freestanding Ranges

Model shown: MER8880A



Power Center Cooktops

The Speed Heat™ element on the electric Power Center cooktop is the most powerful available* with 3,200 watts of heat. The Power Center gas cooktop features a 17,000-BTU Speed Heat™ burner, the most powerful Maytag® burner ever. These cooktops are ideal for faster boiling and better searing.



10-Year Limited Parts Warranty**

Components covered by this 10-year limited parts warranty** include electric oven and cooktop elements and the ceramic glass cooktop, as well as the gas oven and cooktop burners and die-cast metal grates.



Visit maytag.com for warranty details.



Power Preheat

By combining the power of the bake and broil burners, convection fan and power vents, gas ovens preheat in just 6 minutes and electric in 8 minutes.† This way, your meals can get to the table quicker.



AquaLift™ Self-Clean Technology

Get your oven clean in less than an hour with odor-free, low temperature AquaLift™ self-clean technology. This innovative coating on the oven interior activates with water and heat to release tough baked on soils from underneath so food and debris easily wipe away. Temperatures stay below 200°F as compared to ovens that require heat of up to 800°F during the self-cleaning cycle.



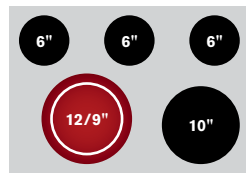
Industry-Leading Capacities**

With 5.8 cu. ft. of oven space for gas models and 6.2 cu. ft. for electric, Maytag brand has industry-leading capacities** to cook everything from everyday meals to large family feasts.

NOTE: Not all features are available on all models. *Among leading brands, non-induction elements. **Visit maytag.com for warranty details. †Based on single rack baking. ††Among leading brand single cavity electric 30" freestanding ranges.

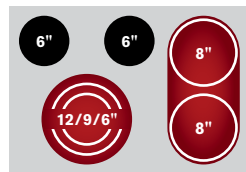


NEW MER8670A
6.2 cu. ft. capacity
W/B/S

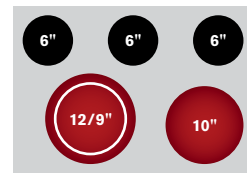


+ OPEN VIEW

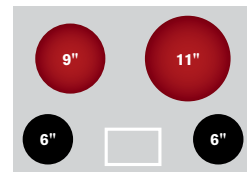
NEW MER8880A
6.2 cu. ft. capacity
W/B/S



NEW MER8674A
6.2 cu. ft. capacity
W/B/S



NEW MIR8890A
6.2 cu. ft. capacity
Induction Range
S

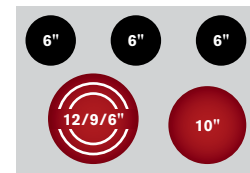


+ OPEN VIEW

+ TOP VIEW



NEW MER8775A
6.2 cu. ft. capacity
W/B/S



MODELS	NEW MODELS				
	MER8670A	MER8674A	MER8775A	MER8880A	MIR8890A
INDUCTION RANGE					
10-year limited parts warranty* on cooktop and oven elements and ceramic glass cooktop					
OVEN FEATURES					
Capacity (cu. ft.)	6.2	6.2	6.2	6.2	6.2
EvenAir™ convection			•		
EvenAir™ true convection with third element				•	•
Auto Convert Conversion				•	•
Power Preheat				•	•
AquaLift™ self-clean technology	•	•	•	•	•
Induction cooktop					•
Precision Cooking™ system with Precision Preheat, Precision Bake and Precision Broil	•	•	•	•	•
Variable broil	•	•	•	•	•
Hidden bake element with power vents	•	•	•	•	•
Panoramic view oven window	•	•	•	•	•
Max capacity rack	•	•	•	•	•
Oven racks	2	2	3	3	3
Control lockout	•	•	•	•	•
Sabbath mode	•	•	•	•	•
Automatic oven light	•	•	•	•	•
POWER CENTER FEATURES					
10", 2,500-watt Power Cook radiant element	RF				
12"/9", 3,000/1,900-watt Dual-Choice™ radiant element	LF	LF			
12"/9"/6", 3,000/2,200/1,100-watt Triple-Choice™ radiant element			LF	LF	
10", 3,200-watt Speed Heat™ radiant element		RF	RF		
8" 1,800-watt radiant element				RF, RR	
Bridge radiant element				RF	
11", 3,700-watt Speed Heat™ Induction element					RR
9", 3,200-watt Induction Speed Heat™ element					LR
6" 1,800-watt Induction element					LF, RF
Sliding touch controls					•
COOKTOP FEATURES					
6", 1,200-watt radiant element	RR, LR	RR, LR	RR	LR	
6", 300/1,300-watt melt element			LR	LR	
100-watt Precision Warming™ center	Center	Center	Center	Center	
Hot surface indicator light	•	•	•	•	•
CONTROL FEATURES					
Reliable Electronic Touch oven controls	•	•	•	•	•
Display readout	Amber	Amber	Amber	Amber	Amber
Keep Warm™ setting	•	•	•	•	•
Delay Bake	•	•	•	•	•
Electronic clock with timer	•	•	•	•	•
EXTERIOR FEATURES					
Storage drawer	•	•	•	•	•
Warming drawer with handle					•
Stainless steel-wrapped backguard	Stainless Steel model	Stainless Steel model	Stainless Steel model	Stainless Steel model	Stainless Steel model
BETTER BUILT COMPONENTS					
Durable metal door hinges	•	•	•	•	•
Durable metal door handle**	•	•	•	•	•
Shatter-resistant cooktop	•	•	•	•	•
SPECIFICATIONS					
Overall Dimensions (Height x Width x Depth including handle)	46-7/8" x 29-7/8" x 27-3/4"	46-7/8" x 29-7/8" x 27-3/4"	46-7/8" x 29-7/8" x 27-3/4"	46-7/8" x 29-7/8" x 27-3/4"	46-7/8" x 29-7/8" x 27-3/4"
Color options	W/B/S	W/B/S	W/B/S	W/B/S	S

Bold type indicates step-up feature

COLOR OPTIONS



W White **B** Black **S** Stainless Steel

LIMITED PARTS WARRANTY COVERED MODELS

10 YEAR LIMITED PARTS WARRANTY
ELEMENTS - COOKTOP
Visit maytag.com for warranty details.

MER8670A **MER8880A**
MER8674A **MIR8890A**
MER8775A

Accessories can be found on page 146.
Feature glossary can be found on page 148.
Complete product specifications can be found on page 166.

*Visit maytag.com for warranty details. **Stainless Steel models only.



NEW MGR7685A

5.0 cu. ft. capacity

W/B/S



NEW MGR8670A

5.8 cu. ft. capacity

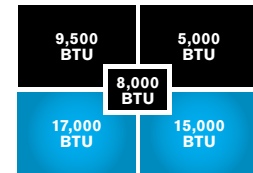
W/B/S



NEW MGR8674A

5.8 cu. ft. capacity

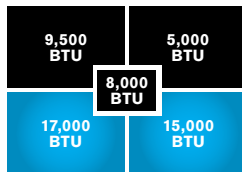
W/B/S



NEW MGR8775A

5.8 cu. ft. capacity

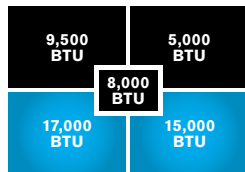
W/B/S



NEW MGR8880A

5.8 cu. ft. capacity

W/B/S



+ OPEN VIEW

+ OPEN VIEW

MODELS	NEW MODELS				
	MGR7685A	MGR8670A	MGR8674A	MGR8775A	MGR8880A
10-year limited parts warranty* on cooktop and oven burners and die-cast metal grates		•	•	•	•
OVEN FEATURES					
Capacity (cu. ft.)	5.0	5.8	5.8	5.8	5.8
EvenAir™ convection				•	
EvenAir™ true convection with third element					•
Auto Convection Conversion					•
Power Preheat					•
AquaLift™ self-clean technology		•	•	•	•
Precision Cooking™ system with Precise Preheat, Precise Bake and Precise Broil	•	•	•	•	•
Variable broil	•	•	•	•	•
Panoramic view oven window		•	•	•	•
Max capacity rack	•	•	•	•	•
Oven racks	2	2	2	3	3
Control lockout	•	•	•	•	•
Sabbath mode	•	•	•	•	•
Automatic oven light	•	•	•	•	•
POWER CENTER FEATURES					
15,000 BTU Power Cook burner	LF, RF	LF, RF	RF	RF	RF
17,000 BTU Speed Heat™ burner			LF	LF	LF
Integrated griddle system (griddle included)					•
COOKTOP FEATURES					
9,500 BTU burner	LR	LR	LR	LR	LR
8,000 BTU 5th burner			Center	Center	Center
5,000 BTU Flex-Choice™ simmer burner	RR	RR	RR	RR	RR
DuraClean™ die-cast metal burner grates	•	•	•	•	•
Upswept porcelain cooktop	•	•	•	•	•
Sealed surface burners	•	•	•	•	•
CONTROL FEATURES					
Reliable Electronic Touch oven controls	•	•	•	•	•
Display readout	Amber	Amber	Amber	Amber	Amber
Keep Warm™ setting	•	•	•	•	•
Delay Bake	•	•	•	•	•
Electronic clock with timer	•	•	•	•	•
EXTERIOR FEATURES					
Storage drawer	•	•	•	•	•
Stainless steel-wrapped backguard	Stainless Steel model	Stainless Steel model	Stainless Steel model	Stainless Steel model	Stainless Steel model
BETTER BUILT COMPONENTS					
Durable metal door hinges	•	•	•	•	•
Durable metal door handle™	•	•	•	•	•
Die-cast metal grates	•	•	•	•	•
SPECIFICATIONS					
Overall Dimensions (Height x Width x Depth including handle)	46-7/8" x 29-7/8" x 27-9/16"	46-7/8" x 29-7/8" x 27-3/4"	46-7/8" x 29-7/8" x 27-3/4"	46-7/8" x 29-7/8" x 27-3/4"	46-7/8" x 29-7/8" x 27-3/4"
Color options	W/B/S	W/B/S	W/B/S	W/B/S	W/B/S

Bold type indicates step-up feature

COLOR OPTIONS



W White **B** Black **S** Stainless Steel

LIMITED PARTS WARRANTY COVERED MODELS

MGR8670A MGR8775A
MGR8674A MGR8880A

Visit maytag.com for warranty details.

Accessories can be found on page 146.
Feature glossary can be found on page 148.
Complete product specifications can be found on page 166.

NOTE: All gas ranges can be converted for use with LP gas.



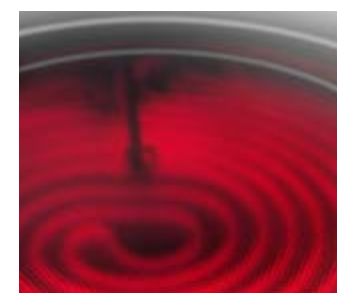
Slide-In

Ranges



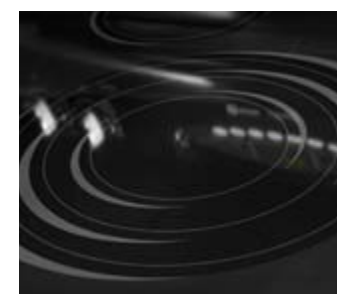
EvenAir™ True Convection with Third Element and Auto Conversion

With convection, you'll be able to roast foods up to 30% faster than a standard oven, while getting uniform browning and outstanding baking performance. Plus, Auto Conversion converts standard time and temperatures to their convection equivalents, making sure your legendary family recipes come out perfect.



Flex-Choice™ Simmer Element/Burner

Sometimes you need the power of high heat, and sometimes you don't. With the Flex-Choice™ simmer burner, you can easily adjust heat levels from full power to a low-power simmer.



Dual-Choice™ and Triple-Choice™ Elements

Pots and pans come in different sizes because one-size-fits-all doesn't apply to cooking. The Dual-Choice™ and Triple-Choice™ options match the cooking surface to the size of your pan so you get more even heat distribution for any recipe in the book.



Precision Warming™ Center

Schedules in your household don't always stay the same. Use this element to keep cooked foods warm for any dinnertime stragglers or as a place to let sauces simmer while you use other elements for additional meal preparation.



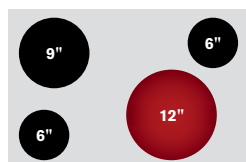
Self-Cleaning Oven with Adjustable Cleaning Levels

The reward for preparing a memorable family meal shouldn't be scrubbing the oven afterwards. This setting automatically cleans the oven according to a preprogrammed cycle. Select the proper cleaning level for the job—light, medium or heavy.



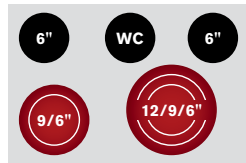
MES5752BA

4.3 cu. ft. capacity
W/B/S



MES5875BA

4.5 cu. ft. capacity
S



MODELS	MES5752BA	MES5875BA
OVEN FEATURES		
Capacity (cu. ft.)	4.3	4.5
EvenAir™ true convection with third element		•
Auto Conversion option		•
Self-cleaning system with adjustable levels	•	•
Auto-lock Self-cleaning feature		•
Six-Pass recessed broil element	•	•
High/low variable broil	•	•
Hidden Bake element		•
Control lockout	•	•
Sabbath Mode	•	•
Oven light	•	Automatic
Super-size oven window	•	•
Oven rack positions	5	5
Standard oven racks	2	2
Create-A-Space™ half-rack	Optional (UXA4905ADX)	1
POWER CENTER FEATURES		
12", 2,700-watt Power Cook radiant element	RF	
9"/6", 2,400/700-watt Dual-Choice™ radiant element		LF
12"/9"/6", 2,700/2,000/1,000-watt Triple-Choice™ radiant element		RF
COOKTOP FEATURES		
6", 1,200-watt radiant elements	LF, RR	RR
9", 2,500-watt radiant element	LR	
6", 1,200-watt Flex-Choice™ simmer element		LR
100-watt Precision Warming™ center		Center
Hot-surface indicator light	•	•
CONTROL FEATURES		
Reliable Electronic Touch oven controls	•	•
Display readout	Green	Green
Electronic clock with timer	•	•
Keep Warm™, Cook & Hold and Delay Bake/Clean settings	•	•
Favorite setting		•
Pull-off control knobs	•	•
EXTERIOR FEATURES		
Monochromatic glass-front oven door	•	•
Easy-Roll storage drawer	•	•
Oven handle	Stainless Steel accents	Stainless Steel accents
Stainless steel handle and backguard	Stainless Steel model	Stainless Steel model
BETTER BUILT COMPONENTS		
Heavy-duty door hinges	•	•
Durable metal door handle	•	•
SPECIFICATIONS		
Overall Dimensions (Height x Width x Depth including handle)	36" x 30-5/8" x 28-5/16"	36" x 30-5/8" x 28-5/16"
Color options	W/B/S	S

Bold type indicates step-up feature

COLOR OPTIONS



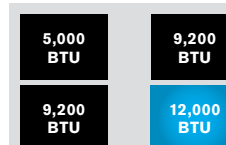
W White **B** Black **S** Stainless Steel

Accessories can be found on page 146.
Feature glossary can be found on page 148.
Complete product specifications can be found on page 167.



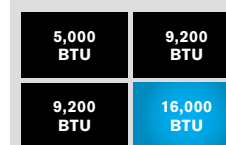
MGS5752BD

4.5 cu. ft. capacity
W/B/S



MGS5875BD

4.5 cu. ft. capacity
S



MODELS	MGS5752BD	MGS5875BD
OVEN FEATURES		
Capacity (cu. ft.)	4.5	4.5
EvenAir™ true convection with third element		•
Auto Conversion option		•
Self-cleaning system with adjustable levels	•	•
Auto-lock Self-cleaning feature		•
High/low variable broil	•	•
Control lockout	•	•
Sabbath Mode	•	•
Oven light	•	Automatic
Super-size oven window	•	•
Oven rack positions	5	5
Standard oven racks	2	2
Create-A-Space™ half-rack	Optional (UXA4905ADX)	1
POWER CENTER FEATURES		
12,000 BTU Power Cook burner	RF	
16,000 BTU Speed Heat™ burner		RF
COOKTOP FEATURES		
9,200 BTU burner	LF, RR	LF, RR
5,000 BTU Flex-Choice™ simmer burner	LR	LR
DuraClean™ cast-iron burner grates	4-piece	4-piece
DuraClean™ lift-off burner caps	•	•
Sealed surface burners	•	•
CONTROL FEATURES		
Reliable Electronic Touch oven controls	•	•
Display readout	Green	Green
Electronic clock with timer	•	•
Keep Warm™, Cook & Hold and Delay Bake/Clean settings	•	•
Favorite setting		•
Pull-off control knobs	•	•
EXTERIOR FEATURES		
Monochromatic glass-front oven door	•	•
Easy-Roll storage drawer	•	•
Oven handle	Stainless Steel accents	Stainless Steel accents
Stainless steel handle and backguard	Stainless Steel model	Stainless Steel model
LP convertible/Kit included	•	•
BETTER BUILT COMPONENTS		
Heavy-duty door hinges	•	•
Durable metal door handle	•	•
SPECIFICATIONS		
Overall Dimensions (Height x Width x Depth including handle)	36" x 30" x 28-5/16"	36" x 30" x 28-5/16"
Color options	W/B/S	S

Bold type indicates step-up feature

COLOR OPTIONS



W White **B** Black **S** Stainless Steel

NOTE: All gas ranges can be converted for use with LP gas.
Accessories can be found on page 146.
Feature glossary can be found on page 148.
Complete product specifications can be found on page 167.



Over-the-Range

Microwaves

Model shown: MMV6186WS



Better Built Components

With a stainless steel interior, hidden vent and stainless finish handle, these microwaves provide a premium look and feature components that are built to last.



2.0 cu. ft. Capacity

Easily fits two 10" x 15" pans, providing plenty of space to cook large items or multiple dishes at the same time.



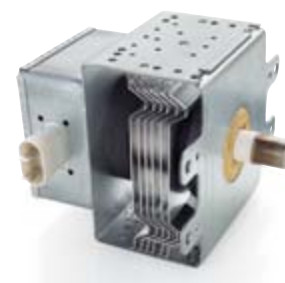
SpeedCook Technology

Microwave, bake and grill in the same appliance for more cooking options than you might expect. Plus, SpeedCook technology reduces cooking times compared to standard ovens.



Sensor Cooking Options

Cook a wide range of foods with microwave sensors that monitor and automatically adjust cooking time and power as needed.



10-Year Limited Parts Warranty*

Select Maytag® over-the-range microwaves are backed by a 10-year limited parts warranty* on the magnetron for dependable, long-lasting performance. The magnetron generates the energy needed to heat food. Without it, your microwave won't work, which is why Maytag brand covers it for 10 years.



Visit maytag.com for warranty details.

NOTE: Not all features are available on all models.
*Visit maytag.com for warranty details.



MMV1164W
1.6 cu. ft. capacity
W/B/S



MMV4203W
2.0 cu. ft. capacity
W/B/S



MMV5208W
2.0 cu. ft. capacity
W/Q/B/S



MMV6180W
1.8 cu. ft. capacity
W/B/S



MMV6186W
1.8 cu. ft. capacity
SpeedCook Oven
S

**COUNTERTOP MICROWAVE
COMING SOON**

UMC5165A
1.6 cu. ft. capacity
W/B/S

	COUNTERTOP MODEL				SPEEDCOOK OVEN	
MODELS	UMC5165A	MMV1164W	MMV4203W	MMV5208W	MMV6180W	MMV6186W
10-year limited parts warranty* on magnetron				•	•	•
OVEN FEATURES						
Capacity (cu. ft.)	1.6	1.6	2.0	2.0	1.8	1.8
Microwave power output (watts)	1,200	1,000	1,000	1,000	1,000	1,000
CFM rating		220	300	300	300	300
Precision Cooking™ system	•	•	•	•	•	•
Reliable Electronic Touch controls	•	•	•	•	•	•
Display readout	Amber	Amber	Amber	Amber	Amber	Amber
Display with digital clock	•	•	•	•	•	•
Variable power levels	10	10	10	10	10	10
Turntable	•	•	Oversized	WideGlide™	•	•
Interior cooking rack			•	•	•	•
Interior light	•	•	•	•	•	•
Halogen cooktop light						•
Incandescent cooktop light		•	•	•	•	•
Cooktop light timer			•	•	•	•
Control lockout	•	•	•	•	•	•
Filter indicator message				•	•	•
Delay-Stop fan settings				•	•	•
Exhaust fan		2-speed	2-speed	4-speed	5-speed	5-speed
Ductless or optional outside venting		•	•	•	•	•
Mesh grease filter		•	•	•	•	•
Charcoal odor filter		•	•	•	•	•
COOKING OPTIONS						
SpeedCook technology						•
EvenAir™ convection					•	•
Sensor cooking options	•			•	•	•
Sensor Reheat				•	•	•
Auto Cook		•	•	•	•	•
Auto Reheat		•	•	•	•	•
Auto Defrost	•	•	•	•	•	•
Kids Meals			•	•	•	•
Snacks			•	•	•	•
Soften/Melt			•	•	•	•
Popcorn	•	•	•	•	•	•
Baked Potato	•	•	•	•	•	•
Pizza	•	•	•	•	•	•
Dinner Plate	•	•	•	•	•	•
Casserole		•	•	•	•	•
Frozen Entrée	•	•	•	•	•	•
Add 1 Minute		•	•	•	•	•
Add 30 Seconds	•		•	•	•	•
BETTER BUILT COMPONENTS						
Flush hidden vent		•	•	•	•	•
Stainless steel interior				•	•	•
Stainless finish handle			Stainless Steel model	Stainless Steel model	Stainless Steel model	Stainless Steel model
SPECIFICATIONS						
Overall Dimensions (Height x Width x Depth including handle)	13" x 21-3/4" x 17-1/4"	17-1/4" x 29-15/16" x 17-3/4"	17-1/4" x 29-15/16" x 17-3/4"	17-1/4" x 29-15/16" x 17-3/4"	17-1/4" x 29-15/16" x 17-3/4"	17-1/4" x 29-15/16" x 17-3/4"
Color options	W/B/S	W/B/S	W/B/S	W/Q/B/S	W/B/S	S

Bold type indicates step-up feature

COLOR OPTIONS



W White **Q** Bisque **B** Black **S** Stainless Steel

LIMITED PARTS WARRANTY COVERED MODELS



Visit maytag.com for warranty details.

MMV5208W
MMV6180W
MMV6186W

Accessories can be found on page 146.
Feature glossary can be found on page 148.
Complete product specifications can be found on page 167.

*Visit maytag.com for warranty details.



Count on the power, flexibility and style of Maytag® built-in cooking appliances.

Because take-out shouldn't be the only time you have



VIDEO



Wall Ovens

118



Cooktops

126



NEW FIT system

REVOLUTIONIZING WALL OVEN REPLACEMENT

With the FIT system, replacing your wall oven has never been easier. You can customize installation to your cabinet cutout* so the hardest part is choosing which hard-working Maytag® oven fits your life...not your cabinet.



+ DEMO VIDEO



New wall ovens can leave space when installed in old cutouts



Adjustable inserts raise the height to cabinet level



Finishing trim covers the gap for a sleek, seamless appearance



Model shown: MEW9630AS

*Available on 27" and 30" double and single wall ovens. See product specifications for minimum and maximum installation dimensions. Fits cabinet cutouts from 26-15/16" to 29-7/16" for 27" and 30" single wall ovens. Fits cabinet cutouts from 48-7/8" to 52-3/16" for 27" and 30" double ovens.



Wall Ovens

Model shown: MEW7630WDS



10-Year Limited Parts Warranty*

The oven elements are covered by a 10-year limited parts warranty* to ensure the long-lasting performance Maytag brand is known for.



Visit maytag.com for warranty details.



8-Minute Power Preheat

This oven combines the power of the bake and broil burners and convection element and fan to preheat the oven 40% faster.** This way, your meals can get to the table quicker.



Industry-Leading Capacities†

With industry-leading capacity† and power, Maytag® wall ovens deliver the space to get it all done and the power to get it done fast. Now you can cook everything from everyday meals to large family feasts with confidence.



Industry-First FIT System

With the innovative FIT system, replacing your wall oven has never been easier. Adjustable inserts give you the flexibility to customize installation to your cabinet cutout,** so the hardest part is choosing which hard-working Maytag® oven fits your life...not your cabinet.



EvenAir™ True Convection with Third Element and Auto Conversion

With convection, you'll be able to roast foods up to 30% faster than a standard oven, while getting uniform browning and outstanding baking performance. Plus, Auto Conversion converts standard time and temperatures to their convection equivalents, making sure your legendary family recipes come out perfect.

*Visit maytag.com for warranty details. **Versus standard preheat on single rack convection baking 30" wall ovens. †Among leading brand 27" and 30" wall ovens. ††Available on 27" and 30" double and single wall ovens. See product specifications for minimum and maximum installation dimensions. Fits cabinet cutouts from 26-15/16" to 29-7/16" for 27" and 30" single wall ovens. Fits cabinet cutouts from 48-7/8" to 52-3/16" for 27" and 30" double ovens.

+ OPEN VIEW

+ OPEN VIEW

NEW MEW7627A 27"

8.6 cu. ft. capacity
W/B/S

NEW MEW9627A 27"

8.6 cu. ft. capacity
W/B/S

+ OPEN VIEW

+ OPEN VIEW

NEW MEW7630A 30"

10 cu. ft. capacity
W/B/S

NEW MEW9630A 30"

10 cu. ft. capacity
W/B/S

MODELS	NEW MODELS			
	MEW7627A	MEW9627A	MEW7630A	MEW9630A
10-year limited parts warranty* on oven elements	•	•	•	•
OVEN FEATURES				
Size	27"	27"	30"	30"
Upper capacity (cu. ft.)	4.3	4.3	5.0	5.0
Lower capacity (cu. ft.)	4.3	4.3	5.0	5.0
Total capacity (cu. ft.)	8.6	8.6	10.0	10.0
FIT system	•	•	•	•
EvenAir™ true convection with third element		Upper		Upper
Auto Conversion option		Upper		Upper
Power Preheat		•		•
Precision Cooking™ system with Precise Preheat, Precise Bake and Precise Broil	•	•	•	•
Self-cleaning oven with adjustable levels	Upper/Lower	Upper/Lower	Upper/Lower	Upper/Lower
Hidden bake element	•	•	•	•
Sabbath Mode	•	•	•	•
Automatic oven light	•	•	•	•
Closed door broiling	•	•	•	•
Oven window	Panoramic view	Panoramic view	Panoramic view	Panoramic view
Optional porcelain-enamel broiler pan	Part No. 4396923RW	Part No. 4396923RW	Part No. 4396923RW	Part No. 4396923RW
Oven rack positions (upper/lower)	6/6	6/6	6/6	6/6
Heavy-duty oven racks (upper/lower)	2/2	2/2	2/2	2/2
Heavy-duty third roll-out rack (upper)		1 Upper		1 Upper
Variable Broil	•	•	•	•
CONTROL FEATURES				
Reliable Electronic Touch oven controls	•	with 4.3" LCD screen	•	with 4.3" LCD screen
Display readout	Amber	Amber	Amber	Amber
Electronic clock with timer	•	•	•	•
Keep Warm™ setting	•	•	•	•
Delay Bake and Delay Clean settings	•	•	•	•
Cook & Hold setting (upper oven)	•	•	•	•
Favorite setting	•	•	•	•
Control lockout	•	•	•	•
BETTER BUILT COMPONENT				
Durable metal door handles	•	•	•	•
2X Life™ door hinges	•	•	•	•
SPECIFICATIONS				
Overall Dimensions (Height x Width x Depth including handles)	51-3/16" x 27" x 23-1/4"	51-3/16" x 27" x 23-1/4"	51-3/16" x 30" x 23-1/4"	51-3/16" x 30" x 23-1/4"
Cutout Dimensions (Opening Height' x Width x Depth)	48-7/8" – 52-3/16" x 25-1/2" x 24"	48-7/8" – 52-3/16" x 25-1/2" x 24"	48-7/8" – 52-3/16" x 28-1/2" x 24"	48-7/8" – 52-3/16" x 28-1/2" x 24"
Volts (Amps) required	240/208 (40)	240/208 (40)	240/208 (40)	240/208 (40)
Color options	W/B/S	W/B/S	W/B/S	W/B/S

Bold type indicates step-up feature

COLOR OPTIONS



W
White

B
Black

S
Stainless Steel

LIMITED PARTS WARRANTY COVERED MODELS



Visit maytag.com for warranty details.

MEW7627A MEW9627A
MEW7630A MEW9630A

Accessories can be found on page 146.
Feature glossary can be found on page 148.
Complete product specifications can be found on page 168.

*Visit maytag.com for warranty details. **Twice the life testing based on average use.
†With FIT system height ranges for MEW7627A, MEW7630A, MEW9627A & MEW9630A.

+ OPEN VIEW

NEW MEW7527A 27"

4.3 cu. ft. capacity
W/B/S

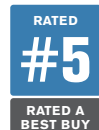
NEW MEW9527A 27"

4.3 cu. ft. capacity
W/B/S

+ OPEN VIEW

NEW MEW7530A 30"

5.0 cu. ft. capacity
W/B/S



NEW MEW9530A 30"

5.0 cu. ft. capacity
W/B/S



NEW MMW9730A 30"

1.4 cu. ft. capacity microwave
5.0 cu. ft. capacity oven
W/B/S

*According to a leading third-party consumer magazine, online ratings retrieved December 2012.

COMBINATION WALL OVEN

MODELS	NEW MODELS				
	MEW7527A	MEW9527A	MEW7530A	MEW9530A	MMW9730A
10-year limited parts warranty** on oven elements	•	•	•	•	•
OVEN FEATURES					
Size	27"	27"	30"	30"	30"
Capacity (cu. ft.)	4.3	4.3	5.0	5.0	1.4 (Microwave) / 5.0 (Lower)
FIT system	•	•	•	•	•
EvenAir™ true convection with third element	•	•	•	•	•
Auto Conversion option	•	•	•	•	•
Power Preheat	•	•	•	•	•
Precision Cooking™ system with Precise Preheat, Precise Bake and Precise Broil	•	•	•	•	•
Self-cleaning oven with adjustable levels	•	•	•	•	Lower oven
Hidden bake element	•	•	•	•	•
Sabbath Mode	•	•	•	•	•
Automatic oven light	•	•	•	•	•
Closed door variable broil	•	•	•	•	•
Oven window	Panoramic view	Panoramic view	Panoramic view	Panoramic view	Panoramic view
Optional porcelain-enamel broiler pan	Part No. 4396923RW	Part No. 4396923RW	Part No. 4396923RW	Part No. 4396923RW	Part No. 4396923RW
Oven rack positions	6	6	6	6	6 Lower oven
Heavy-duty oven racks	2	2	2	2	2 Lower oven
Heavy-duty third roll-out rack	•	1	•	1	1
CONTROL FEATURES					
Reliable Electronic Touch oven controls	•	with 4.3" LCD screen	•	with 4.3" LCD screen	with 4.3" LCD screen
Display readout	Amber	Amber	Amber	Amber	Amber
Electronic clock with timer	•	•	•	•	•
Keep Warm™ setting	•	•	•	•	•
Delay Bake & Delay Clean settings	•	•	•	•	•
Cook & Hold setting	•	•	•	•	•
Favorite setting	•	•	•	•	•
Control lockout	•	•	•	•	•
MICROWAVE FEATURES					
Sensor cooking	•	•	•	•	•
Drop down door	•	•	•	•	•
Auto Cook/Auto Reheat/Auto Defrost	•	•	•	•	•
BETTER BUILT COMPONENTS					
Durable metal door handles	•	•	•	•	•
2X Life® door hinges	•	•	•	•	•
Stainless steel microwave interior	•	•	•	•	•
SPECIFICATIONS					
Overall Dimensions (Height x Width x Depth including handles)	28-3/4" x 27" x 23-1/4"	28-3/4" x 27" x 23-1/4"	28-3/4" x 30" x 23-1/4"	28-3/4" x 30" x 23-1/4"	42-9/16" x 30" x 23-1/4"
Cutout Dimensions (Opening Height** x Width x Depth)	26-15/16" - 29-7/16" x 25-1/2" x 24"	48-7/8" - 52-3/16" x 25-1/2" x 24"	26-15/16" - 29-7/16" x 28-1/2" x 24"	48-7/8" - 52-3/16" x 28-1/2" x 24"	41" - 41-1/2" x 28-1/2" x 24"
Volts (Amps) required	240/208 (20)	240/208 (30)	240/208 (20)	240/208 (30)	240/208 (40)
Color options	W/B/S	W/B/S	W/B/S	W/B/S	W/B/S

Bold type indicates step-up feature

COLOR OPTIONS



W White
B Black
S Stainless Steel

LIMITED PARTS WARRANTY COVERED MODELS



MEW7527A
MEW7530A
MEW9527A
MEW9530A
MMW9730A

Visit maytag.com for warranty details.

Accessories can be found on page 146.
Feature glossary can be found on page 148.
Complete product specifications can be found on page 168.

**Visit maytag.com for warranty details. †Twice the life testing based on average use. ††With FIT system height ranges for MEW7527A, MEW7530A, MEW9527A, MEW9530A & MMW9730A.



CWE5100AC 24"
5.2 cu. ft. capacity
B



CWE5800AC 24"
5.2 cu. ft. capacity
E/B/S



CWE4100AC 24"
2.8 cu. ft. capacity
E/B



CWE4800AC 24"
2.8 cu. ft. capacity
E/B/S



CWG3100AA 24"
4.0 cu. ft. capacity
E/B/S



CWG3600AA 24"
4.9 cu. ft. capacity
B/S

	ELECTRIC DOUBLE WALL OVENS		ELECTRIC SINGLE WALL OVENS		GAS SINGLE WITH BROILER WALL OVENS	
MODELS	CWE5100AC	CWE5800AC	CWE4100AC	CWE4800AC	CWG3100AA	CWG3600AA
OVEN FEATURES						
Size	24"	24"	24"	24"	24"	24"
Upper capacity (cu. ft.)	2.8	2.8	2.8	2.8	2.7	2.7
Lower capacity (cu. ft.)	2.4	2.4			1.3 Broiler	2.2 Broiler
Total capacity (cu. ft.)	5.2	5.2	2.8	2.8	4.0	4.9
Precision Cooking™ system with Precise Preheat, Precise Bake and Precise Broil	•	•	•	•	•	•
Self-cleaning oven with adjustable levels		Upper		•		
Dual-control broiler elements	•	•	•	•		
Oven light	•	•	•	•	•	•
Standard oven window	•	•	•	•	•	•
Broiler compartment					Standard	Extra-large
Broiler compartment window with light					•	•
Optional porcelain-enamel broiler pan	Part No. 4396923RW	Part No. 4396923RW	Part No. 4396923RW	Part No. 4396923RW	Included	Included
Oven rack positions (upper/lower)	4/3	4/3	4	4	4/2	4/3
Standard oven racks (upper/lower)	2/1	2/1	2	2	2/1	2/1
CONTROL FEATURES						
Reliable Electronic Touch oven controls	•	•	•	•	•	•
Display readout	Green	Green	Green	Green	Green	Green
Delay Start oven control		•		•	•	•
Electronic clock with timer	•	•	•	•	•	•
EXTERIOR FEATURES						
Frameless glass-front oven door	•	•	•	•	•	•
Oven handles	Monochromatic	Monochromatic	Monochromatic	Monochromatic	Monochromatic	Monochromatic
SPECIFICATIONS						
Overall Dimensions (Height x Width x Depth including handles)	46-5/16" x 23-7/8" x 27-1/4"	46-5/16" x 23-7/8" x 27-1/4"	29-5/8" x 23-7/8" x 27-1/4"	29-5/8" x 23-7/8" x 27-1/4"	39-1/4" x 23-7/8" x 27-1/2"	46-5/16" x 23-7/8" x 27-1/2"
Cutout Dimensions (Opening Height x Width x Depth)	45-3/8" x 22-3/8" x 24"	45-3/8" x 22-3/8" x 24"	28-11/16" x 22-3/8" x 24"	28-11/16" x 22-3/8" x 24"	38" x 22-3/8" x 24"	45-3/8" x 22-3/8" x 24"
Volts (Amps) required	240/208 (40)	240/208 (40)	240/208 (20)	240/208 (20)	120 (15)	120 (15)
Color options	B	E/B/S	E/B	E/B/S	E/B/S	B/S

Bold type indicates step-up feature

COLOR OPTIONS



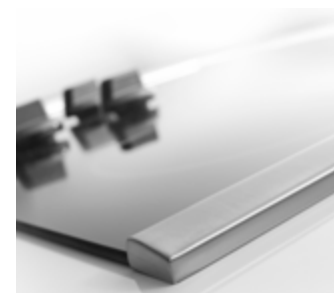
E White **B** Black **S** Stainless Steel

Accessories can be found on page 146.
Feature glossary can be found on page 148.
Complete product specifications can be found on page 169.



Cooktops

Models shown: MGC7636WS & MEC7636WS



Sleek Styling

The frameless design and smooth, seamless surface on Maytag brand built-in cooktops provide a streamlined, modern look to any kitchen. Pair a cooktop with a redesigned wall oven for a powerful cooking package that will update any kitchen.



Smoothtop Glass-Ceramic Surface

This smooth, shatter-resistant cooktop can be easily cleaned without scratching the surface, keeping it looking better longer.



Stainless Steel Surface with DuraClean™ Continuous Cast-Iron Recessed Grates

Recessed grates bring a sleek, commercial look to the cooktop and allow for pots and pans to smoothly slide around for fewer spills and easier transition.



Power Cook Burner

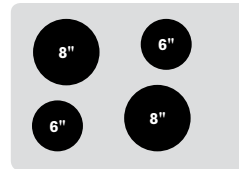
At 15,000 BTUs, this burner provides the power necessary for faster boiling and better searing. It's ideal for large jobs like stir-frying and caning.



Flex-Choice™ Simmer Burner

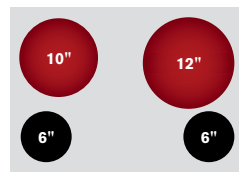
Cook a variety of sauces and soups on this burner. With adjustable levels of heat, from 5,000 BTUs down to 1,000 BTUs, it provides a full-power simmer burner and warm setting in one.

NOTE: Not all features are available on all models.



MEC4430W 30"

W/B

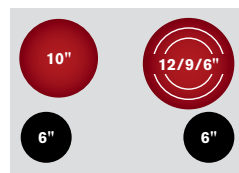


PowerCenter
ELECTRIC COOKTOP

RATED
#2

MEC7430W 30"

W/B/S



PowerCenter
ELECTRIC COOKTOP

RATED
#3

MEC7630W 30"

W/B/S

*According to a leading third-party consumer magazine, online ratings retrieved December 2012.

MODELS	MEC4430W	MEC7430W	MEC7630W
Size	30"	30"	30"
Porcelain-enamel surface	•		
Smoothtop glass-ceramic surface		•	•
No-drip chrome bowls	•		
Frameless design	•	•	•
POWER CENTER FEATURES			
12" XL, 2,700-watt Power Cook radiant element		RR	
12"/9"/6", 2,700/2,000/1,000-watt Triple-Choice™ radiant element			RR
10", 3,200-watt Speed Heat™ radiant element		LR	LR
COOKTOP FEATURES			
6", 1,500-watt coil element	LF, RR		
8", 2,350-watt coil element	LR, RF		
6", 1,200-watt radiant element		LF, RF	LF, RF
CONTROL FEATURES			
Dishwasher safe removable control knobs	•	•	•
Element-in-Use/Hot surface indicator lights	•	•	•
BETTER BUILT COMPONENT			
Shatter-resistant cooktop		•	•
SPECIFICATIONS			
Overall Dimensions (Height x Width x Depth)	3-1/4" x 30" x 21"	3-3/4" x 30" x 21-1/2"	3-3/4" x 30" x 21-1/2"
Cutout Dimensions (Opening Width x Depth)	28-5/16" x 19-13/16"	29-1/16" x 20-3/8"	29-1/16" x 20-3/8"
Volts (Amps) required	240/208 (40)	240/208 (40)	240/208 (40)
Color options	W/B	W/B/S	W/B/S

Bold type indicates step-up feature

COLOR OPTIONS



W
White

B
Black

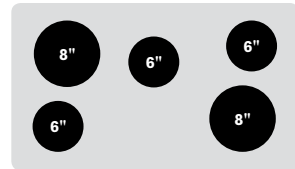
S
Stainless Steel

Accessories can be found on page 146.
Feature glossary can be found on page 148.
Complete product specifications can be found on page 170.



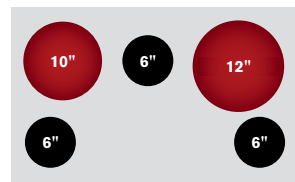
MEC4536W 36"

W/B/C



MEC7536W 36"

W/B/S



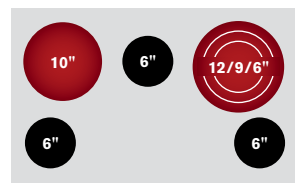
PowerCenter
ELECTRIC COOKTOP

RATED
#1



MEC7636W 36"

B/S



PowerCenter
ELECTRIC COOKTOP

RATED
#2

MODELS	MEC4536W	MEC7536W	MEC7636W
Size	36"	36"	36"
Porcelain-enamel surface	•		
Smoothtop glass-ceramic surface		•	•
No-drip chrome bowls	•		
Frameless design	•	•	•
POWER CENTER FEATURES			
12" XL, 3,000-watt Power Cook radiant element		RR	
12"/9"/6", 3,000/2,200/1,100-watt Triple-Choice™ radiant element			RR
10", 3,200-watt Speed Heat™ radiant element		LR	LR
COOKTOP FEATURES			
6", 1,200-watt coil element	Center		
6", 1,500-watt coil element	LF, RR		
8", 2,350-watt coil element	LR, RF		
6", 1,200-watt radiant element		LF, RF, Center	LF, RF, Center
CONTROL FEATURES			
Dishwasher safe removable control knobs	•	•	•
Element-in-Use/Hot surface indicator lights	•	•	•
BETTER BUILT COMPONENT			
Shatter-resistant cooktop		•	•
SPECIFICATIONS			
Overall Dimensions (Height x Width x Depth)	3-1/4" x 36" x 21"	3-3/4" x 35-5/16" x 21-1/2"	3-3/4" x 35-5/16" x 21-1/2"
Cutout Dimensions (Opening Width x Depth)	34-7/8" x 19-13/16"	34-9/16" x 20-3/8"	34-9/16" x 20-3/8"
Volts (Amps) required	240/208 (40)	240/208 (50)	240/208 (50)
Color options	W/B/C	W/B/S	B/S

Bold type indicates step-up feature

COLOR OPTIONS



W
White

B
Black

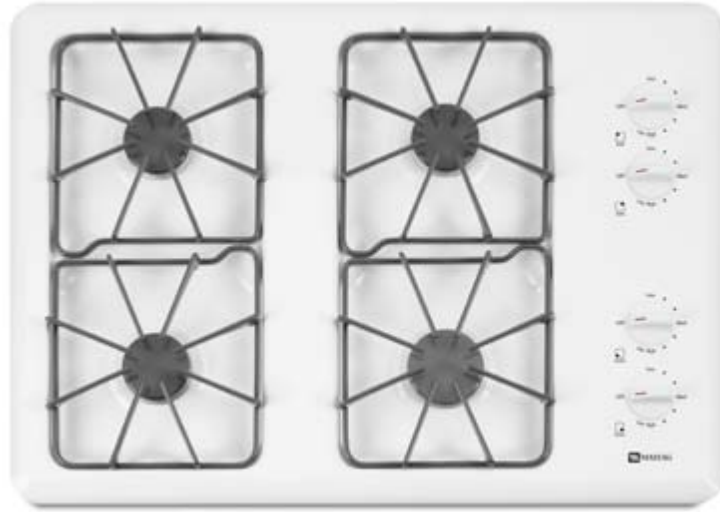
S
Stainless Steel

C
Chrome

Accessories can be found on page 146.
Feature glossary can be found on page 148.
Complete product specifications can be found on page 170.

**Chrome model has a chrome surface.

*According to a leading third-party consumer magazine, online ratings retrieved December 2012.



MGC4430BD 30"

W/B

9,200 BTU	9,200 BTU
9,200 BTU	12,500 BTU



MGC7430W 30"

W/B/S

5,000 BTU	9,200 BTU
12,500 BTU	15,000 BTU



MGC7630W 30"

B

5,000 BTU	9,200 BTU
15,000 BTU	12,500 BTU



MODELS	MGC4430BD	MGC7430W	MGC7630W
Size	30"	30"	30"
Porcelain-enamel surface	•	•	
DuraClean™ tempered-glass surface			•
Dishwasher-safe DuraClean™ burner grates	Enameled steel	Continuous cast-iron	Continuous cast-iron
Dishwasher-safe DuraClean™ lift-off burner caps	•	•	•
Frameless design	•	•	•
POWER CENTER FEATURES			
12,500 BTU Power Cook burner	RF	LF	RF
15,000 BTU Power Cook burner		RF	LF
COOKTOP FEATURES			
9,200 BTU burner	LF, LR, RR	RR	RR
5,000 BTU Flex-Choice™ simmer burner		LR	LR
Sealed surface burners	•	•	•
CONTROL FEATURE			
Removable control knobs	•	Dishwasher safe	Dishwasher safe
BETTER BUILT COMPONENT			
Cast-iron burner grates	•	•	•
SPECIFICATIONS			
Overall Dimensions (Height x Width x Depth)	3-13/16" x 29-1/2" x 21-1/2"	3-13/16" x 29-1/2" x 21-1/2"	3-13/16" x 30" x 21-1/2"
Cutout Dimensions (Opening Width x Depth)	28-1/2" x 19-15/16"	28-1/2" x 19-15/16"	28-1/2" x 19-15/16"
Volts (Amps) required	120 (10)	120 (10)	120 (10)
Color options	W/B	W/B/S	B

Bold type indicates step-up feature

COLOR OPTIONS



W
White

B
Black

S
Stainless Steel

Accessories can be found on page 146.
 Feature glossary can be found on page 148.
 Complete product specifications can be found on page 170.

NOTE: All gas cooktops can be converted for use with LP gas.
 *Stainless Steel models have a stainless steel surface.



MGC4436BD 36"
W/B

12,000 BTU	9,200 BTU	9,200 BTU
9,200 BTU		14,000 BTU



MGC7536W 36"
W/B/S

12,500 BTU	5,000 BTU	8,000 BTU
9,200 BTU		15,000 BTU



MGC7636W 36"
W/B

15,000 BTU	5,000 BTU	8,000 BTU
9,200 BTU		12,500 BTU



MODELS	MGC4436BD	MGC7536W	MGC7636W
Size	36"	36"	36"
Porcelain-enamel surface	•	•	
DuraClean™ tempered-glass surface			•
Dishwasher-safe DuraClean™ burner grates	Porcelain enamel	Continuous cast-iron	Continuous cast-iron
Dishwasher-safe DuraClean™ lift-off burner caps	•	•	•
Frameless design	•	•	•
POWER CENTER FEATURES			
12,000 BTU Power Cook burner	LR		
12,500 BTU Power Cook burner		LR	RF
14,000 BTU Power Cook burner	RF		
15,000 BTU Power Cook burner		RF	LR
COOKTOP FEATURES			
8,000 BTU burner		RR	RR
9,200 BTU burner	LF, center, RR	LF	LF
5,000 BTU Flex-Choice™ simmer burner		Center	Center
Sealed surface burners	•	•	•
CONTROL FEATURE			
Removable control knob	Dishwasher safe	Dishwasher safe	Dishwasher safe
BETTER BUILT COMPONENT			
Cast-iron burner grates		•	•
SPECIFICATIONS			
Overall Dimensions (Height x Width x Depth)	3-13/16" x 36" x 21"	3-13/16" x 36" x 21"	3-13/16" x 36" x 21"
Cutout Dimensions (Opening Width x Depth)	34-1/2" x 19-15/16"	34-1/2" x 19-15/16"	34-1/2" x 19-15/16"
Volts (Amps) required	120 (10)	120 (10)	120 (15)
Color options	W/B	W/B/S	B

Bold type indicates step-up feature

COLOR OPTIONS



W
White

B
Black

S
Stainless Steel

Accessories can be found on page 146.
Feature glossary can be found on page 148.
Complete product specifications can be found on page 170.

NOTE: All gas cooktops can be converted for use with LP gas.
*Stainless Steel models have a stainless steel surface.



UXD8630DY 30" Also available UXT8636DY 36"
S S



UXT3030AY 30" Also available UXT3036AY 36"
W/B W/B



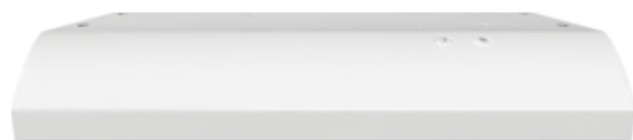
UXT4230AY 30" Also available UXT4236AY 36"
W/T/B/S W/B/S



UXT5530AA 30" Also available UXT5536AA 36"
S S



UXL6036YS 36"
S



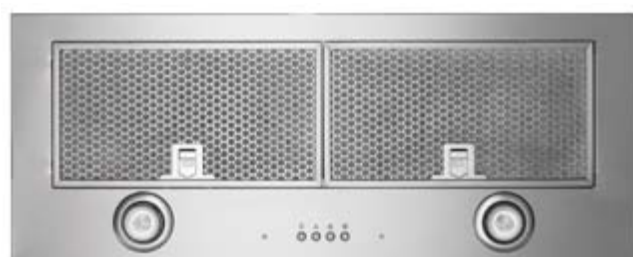
UXT2030AY 30" Also available UXT2036AY 36"
W/B W/B



UXT4030AY 30" Also available UXT4036AY 36"
W/T/B/S W/B



UXT5230AY 30" Also available UXT5236AY 36"
W/B/S W/B/S



UXL5430BS 30"
S



UXL6048YS 48"
S

MODELS	UXD8630DY	UXT2030AY	UXT3030AY	UXT4030AY	UXT4230AY	UXT5230AY	UXT5530AA
Size	30"	30"	30"	30"	30"	30"	30"
Also available in 36"	UXD8636DY	UXT2036AY	UXT3036AY	UXT4036AY	UXT4236AY	UXT5236AY	UXT5536AA
Vertical venting	Exterior	Exterior	Exterior	Interior	Exterior and interior	Exterior and interior	Exterior and interior
Horizontal venting	Exterior		Exterior	Interior	Exterior and interior	Exterior and interior	Exterior and interior
Type	Vented only	Top venting only	Top and rear venting	Recirculating only	Convertible	Convertible	Convertible
DUCT TYPE							
6" round duct	Included				Included	W10355451	
7" round duct		Included					
3-1/4" x 10" rectangular duct	Included		Included		Included	Included	Included
Dishwasher-safe grease filters	2	1	1		1	1	2 (30") or 3 (36")
FEATURES							
Maximum exhaust (CFM)*	600	190	190		225	350	400
Sones*	up to 7.9	up to 4.5	up to 5.3		up to 7	up to 9	up to 8.2
Controls	4-speed slider	2-speed, rocker switch	2-speed, rocker switch	2-speed, rocker switch	Variable speed, rotary	3-speed, push-button	3-speed, push-button
Damper	•					•	•
Fan	Dual centrifugal	Axial	Axial	Axial	Axial	Axial	Centrifugal
Lighting		75-watt On/Off incandescent	75-watt On/Off incandescent	75-watt On/Off incandescent	75-watt High/Low/Off incandescent	50-watt On/Off halogen (bulbs included)	50-watt On/Off halogen (bulbs included)
Recirculation kit/charcoal filter				Included	Optional	Optional	Included
Adapter/Vent connector (included)	3-1/4" x 10" Rectangular	7" Round	3-1/4" x 10" Rectangular		3-1/4" x 10" Rectangular	3-1/4" x 10" Rectangular	3-1/4" x 10" Rectangular
California Title 24 compliant		•	•		•	•	•
ACCESSORIES							
Recirculation/Charcoal filter kit				W10355450	W10355450	30" model - W10369358 36" model - W10386873	W10272068
7" Round damper					W10355451	W10355451	
7" Damper plate					W10388168	W10388168	
Power cord		W10355452	W10355452	W10355452	W10355452	Included	
SPECIFICATIONS							
30" Dimensions (Height x Width x Depth)	29" x 30" x 12-1/8"	5" x 29-15/16" x 18-5/8"	5" x 29-15/16" x 18-5/8"	5" x 29-15/16" x 18-5/8"	5" x 29-15/16" x 18-5/8"	5" x 29-15/16" x 18-5/8"	9" x 29-7/8" x 19-3/4"
36" Dimensions (Height x Width x Depth)	29" x 36" x 12-1/8"	5" x 35-15/16" x 18-5/8"	5" x 35-15/16" x 18-5/8"	5" x 35-15/16" x 18-5/8"	5" x 35-15/16" x 18-5/8"	5" x 35-15/16" x 18-5/8"	9" x 35-7/8" x 19-3/4"
30" Color options	S	W/B	W/B	W/T/B/S	W/T/B/S	W/B/S	S
36" Color options	S	W/B	W/B	W/B	W/B/S	W/B/S	S

Bold type indicates step-up feature

HOOD LINERS	UXL5430BS	UXL6036YS	UXL6048YS
Size	30"	36"	48"
Vertical venting	•	•	•
Type	Convertible	Vented	Vented
Duct type	6" round	10" round	10" round
FEATURES			
Auto-on heat sensor		•	•
Lighting (bulbs included)	(2) 50-watt On/Off halogen	(4) 50-watt High/Low halogen	(4) 50-watt High/Low halogen
Controls	3-speed, push-button	3-speed slider	3-speed slider
Dishwasher-safe grease filters	2	3	4
ACCESSORIES			
Blower motor systems	Blower included (400 CFM)	Internal 600 CFM - UXB0600DYS Internal 1200 CFM - UXB1200DYS In-line 600 CFM - UXI0600DYS In-line 1200 CFM - UXI1200DYS	Internal 600 CFM - UXB0600DYS Internal 1200 CFM - UXB1200DYS In-line 600 CFM - UXI0600DYS In-line 1200 CFM - UXI1200DYS
Recirculation/Charcoal filter kit	W10490330	N/A	N/A
Face panel rear extension (30" x 18")	W10490327	N/A	N/A
Face panel (36" x 18")	W10490310	N/A	N/A
SPECIFICATIONS			
Dimensions (Height x Width x Depth)	13-5/8" x 30" x 11-7/8"	11-1/2" x 35-7/8" x 22"	11-1/2" x 47-7/8" x 22"
Color options	S	S	S

Bold type indicates step-up feature

COLOR OPTIONS



W White **T** Bisque **B** Black **S** Stainless Steel

Accessories can be found on page 146.
Feature glossary can be found on page 148.
Complete product specifications can be found on page 171.

*View Use & Care Guide for more information.



Accessories to complete your laundry & kitchen experience

Maintaining appliances and optimizing usage is made easy with this full line of laundry and kitchen accessories. Expand storage space with laundry pedestals. Enjoy fresh tasting water at your fingertips with water filters. Increase the amount of dishes you can do with the capacity extension bundle. All of these accessory options and more are sure to deliver an enhanced appliance experience.



Laundry Pedestals

Raise your Maxima® and Performance Series laundry pairs for easier loading and unloading. The storage drawer in the 15.5" pedestal holds all of your laundry extras, including full-size detergent bottles. All new pedestals feature chrome accents to add even more style to the laundry room.



Adjustable Clothes Rack

Conveniently hang garments from any washer or dryer with this adjustable rack. It can be easily attached with scratch-resistant magnets to most full-size washers and dryers and is collapsible and removable for quick, easy storage.

XHP1550V/W'

15.5" H x 27" W x 26.5" D



W
White



P
Evergreen



J
Oxide



B
Black



R'
Crimson



L
Liquid Silver



G
Granite

XHPC155X with chrome accents

15.5" H x 27" W x 27.3" D



W
White



R
Crimson



G
Granite

XHS1000XX

Load Weight Rating: up to 120 lbs



affresh® Washer Cleaner

W10135699

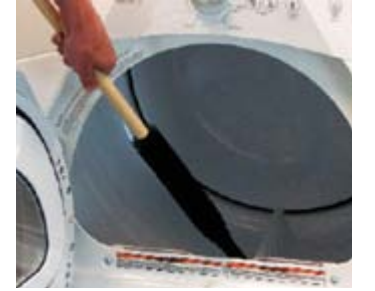
Effectively removes odor-causing residue from your washer. The affresh® Washer cleaner package includes 3 tablets.



Dryer Lint Brush

8212614

Helps to extend dryer life and conserve energy for dryers with lint screens on top.



Multi-Use Cleaning Brush

4210463RW

This brush can be used on dryers with the lint screen in the front and helps to extend dryer life and conserve energy.



DuraSafe™ Vent Installer's Kit

4396013RB

Allows the wall vent to protrude up to 2-1/2" without having to be trimmed. Includes a 4' vent section that attaches to a close elbow, a 4' vent section that attaches to a wall offset and an extension collar.



Weight Clips (2-pk)

8212524

Set of two clips are ideal for use with cotton and cotton-poly blend fabrics and help to release wrinkles from fabrics.



Washable Delicates Bag

W10180464RP

Protects small items from snags, tangles and tears while machine washing and drying.



6' Gooseneck Nylon Braided Fill Hose Kit (2-pk)

8212638RC (clamshell)
8212638RP (polybag)

6' nylon-braided hose, space-saving 90° elbow with anti-corrosive couplings and pre-installed EPDM washers deliver maximum water flow. Everything needed for installation is included.



Top Load Washer/Dryer Cover

W10214580RP

This grey cover fits most top load washers and dryers and helps to protect against environmental damage.



Washer Drip Tray

8212526

Sits under the washer to protect floors from scuffs, spills and overflows. Includes PVC drain fitting and instructions. Will not fit 27" washer/dryer combination units.

*Order XHP1550WR for Crimson.



Cyst Water Filter

FILTER 1 (W10295370)
FILTER 2 (W10413645A)
FILTER 4 (UKF8001)

This built-in Pur® filter reduces contaminants* while retaining fluoride, giving you chilled, filtered water from your refrigerator for up to 6 months.



Push-Button Non-Cyst Filter

FILTER 3 (4396841)

Reduces contaminants* from household water while retaining fluoride, giving you filtered water from your refrigerator for up to 6 months. Features a simple push-button replacement.



Automatic Ice Maker Kit

IC13B (French Door & Bottom-Freezer)
ECKMF94 (Side-by-Side & Top-Freezer)

Install this ice maker for instant access to fresh ice to help keep all your drinks cool. Includes ice bucket.



Microfiber Cleaning Cloth

31625

All-in-one cloth dusts, polishes and damp cleans nearly any surface while reducing fingerprints without using chemicals. Up to 300 uses. Large size, 16" x 16".



Egg Container

2219124A

Gain easy access to eggs with this container. Holds 10 eggs.



affresh® Stainless Steel Cleaner

W10355016

Gently cleans fingerprints, smudges and residue to leave a streak-free, polished shine.



Multi-Use Cleaning Brush

4210463RW

Ensure maximum refrigerator efficiency with regular cleaning. Use this handy brush to remove hard-to-reach cobwebs, dust and other airborne particles.



FreshFlow™ Refrigerator Deodorizer

8171398SRB

Ideal for the low airflow and high moisture of the refrigerator, this filter absorbs powerful refrigerator odors, like onion, garlic and fish with high-absorbency activated coconut shell charcoal.



FreshFlow™ Ice Cube & Freezer Deodorizer

4392894SRB

Ideal for the high airflow and low moisture of the freezer, this filter traps odors before they are frozen in ice cubes (not from water supply) with high-absorbency activated charcoal.



affresh® Stainless Steel Wipes

W10355049

Gently cleans fingerprints, smudges and residue to leave a streak-free, polished shine.



affresh® Kitchen & Appliance Cleaner

W10355010

Cuts through everyday spills to leave a streak-free shine. Available for use on appliances, refrigerator interiors, countertops, tubs and sinks.



FreshFlow™ Refrigerator Air Filter

AIR1 (W10311524)

Reduces common food odors in the refrigerator. 15X more powerful than baking soda. Replace every 6 months.



FreshFlow™ Produce Preserver

FRESH1 (W10346771A)

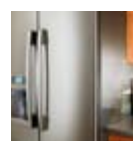
Extends the freshness of produce in the refrigerator up to 4 days longer.** Use both packets together. Replace after 6 months.



7' Industrial-Grade Refrigerator Water Hose

8212490RC

Includes everything needed for easy installation: 7' of braided tubing and fittings to provide water to ice makers and ice and water dispensers.



Silver Ultra-Finish & Stainless Steel Side Panels

- Fits Maytag® side-by-side, french door and top-freezer refrigerators
- 1 side panel (fits either side)
- No tools required
- Kit includes everything you need for installation



Silver Ultra-Finish & Stainless Steel Top Caps

- Fits Maytag® side-by-side refrigerators built after 2008. Cannot be used with Contoured Door refrigerators
- 1 cap adds 3" to refrigerator height
- No tools required
- Kit includes everything you need for installation

FREESTANDING COUNTER DEPTH SIDE-BY-SIDE			
CUBIC FEET	STAINLESS STEEL	DIMENSIONS	
23	4396748	68-5/16" H x 24-1/2" W	
25	4396749	71-1/8" H x 24-1/2" W	
FREESTANDING SIDE-BY-SIDE			
CUBIC FEET	STAINLESS STEEL	SILVER ULTRA-FINISH	DIMENSIONS
25	4396351	8212633	68-3/8" H x 27-11/16" W
FREESTANDING COUNTER DEPTH & FULL DEPTH FRENCH DOOR			
CUBIC FEET	STAINLESS STEEL	SILVER ULTRA-FINISH	DIMENSIONS
20	W10194323	-	68-5/16" H x 23-11/16" W
25	W10136753	W10137042	68-3/8" H x 28-11/16" W

FREESTANDING SIDE-BY-SIDE		
CUBIC FEET	STAINLESS STEEL (1 CAP)	DIMENSIONS
23	W10136975 (Counter Depth)	2-5/8" H x 35-9/16" W x 27-1/16" D
25	W10136975 (Counter Depth)	2-5/8" H x 35-9/16" W x 27-1/16" D
25	W10136976 (Freestanding)	2-5/8" H x 35-9/16" W x 29-15/16" D

*The contaminants or other substances removed or reduced by this water filter are not necessarily in all users' water. Use only on municipally treated water or other supply known to be microbiologically safe. **Based on commonly purchased produce.



affresh® Dishwasher Cleaner

W10282479

Uses environmentally safer ingredients to help remove filming and spotting. Pouch contains 6 tablets.



Small Items Basket

3370993RB

Holds items that might slip through the rack, such as lids, measuring spoons, baby spoons or corn-on-the-cob holders.



Dishwasher Swivel Gooseneck Fitting

W10273460

This fitting is 3/4" x 3/8" for easy dishwasher installation. Brass fitting required on dishwashers produced after 2009.



affresh® Cleaner & Pre-Rinse Bundle with DishTrick™ Washing Brush

DISHCLEAN

Includes 1 affresh® Dishwasher cleaner 6-pack and 1 washing brush. Use this once a month, or as needed, to remove odor for a cleaner, fresher dishwasher.



DishTrick™ Capacity Extension Bundle

DISHEXTEND

6 light item clips, 1 side clip, 1 side utensil clip and 1 silverware basket for everything you need to increase the amount of dishes you can wash per load.



DishTrick™ Wine Enthusiast Bundle

DISHSTEM

1 StemGrip™ and 1 stemware brush take care of delicate stemware. The StemGrip™ holds glasses vertically to help prevent chipping while the brush features soft and strong nylon brushes to scrub tough residue.



Small Items Bag

8519716

Securely holds baby items, jar lids, etc. that would normally slip through the rack.



Universal Industrial-Grade 6' Water Supply Kit

W10278627RP

Everything you need for easy installation including a 6' EPDM water supply line, two brass compression fittings, a brass elbow and a brass swivel gooseneck fitting.



6', 3-Prong Dishwasher Power Supply Kit

W10278923RP

This kit includes a 6', 90° power cord, a metal strain relief bracket and wire nuts for close clearance connections.



DishTrick™ Baby Bundle

DISHBABY

1 small items basket, 1 baby bottle brush and 8 small items clips help to make sure small items like nipples, straws and bottles stay in place and get thoroughly clean.



Tall Tub Dishwasher Side-Mounting Brackets

8212560

For use with solid surface countertops.



12' Drain Hose

3385556

This flexible drain hose for tall tub dishwasher models offers a no-kink design made for hot water.



Dishwasher Rack Repair Kit

4396838RC (White)

4396839RC (Blue)

4396840RC (Grey)

Kit includes tine tips, vinyl touch up material and adhesive to repair dishwasher racks. Includes enough for 2 racks.



Microfiber Cleaning Cloth

31625

All-in-one cloth dusts, polishes and damp cleans nearly any surface while reducing fingerprints without using chemicals. Up to 300 uses. Large size, 16" x 16".



Dishwasher Floor Mount Kit

4378968

Use when undercounter installation is not an option.



affresh® Stainless Steel Cleaner

W10355016

Gently cleans fingerprints, smudges and residue to leave a streak-free, polished shine.



affresh® Stainless Steel Wipes

W10355049

Gently cleans fingerprints, smudges and residue to leave a streak-free, polished shine.



affresh® Kitchen & Appliance Cleaner

W10355010

Cuts through everyday spills to leave a streak-free shine. Available for use on appliances, refrigerator interiors and countertops.



Gas Grate & Grill Cleaner

31617A
Cleans porcelain, glass, cast-iron or chrome surfaces. Use this mildly abrasive formula with water and a towel or sponge to effectively remove calcium, mineral deposits, rust, lime scale, soap scum, grease, food stains and spills.



Granite Cleaner and Polish

W10275756
This granite cleaner and polish restores brilliance and color. Works on sealed granite and most stone surfaces and leaves a finish to help prevent staining.



Heavy-Duty Degreaser

31552A
Effective on tough grease, oils and burned-on spills.



4' Gas Range Connector Kit

30-48KITRC
Everything you need to hook up your gas range. Contains 4' connector, 3 fittings and sealant.



Reversible 11" x 14" Cutting Board

8171456
This polypropylene reversible cutting board is dishwasher safe and will not dull knives. The cutting board has a groove around the rim to contain juices and has heavy duty rubber corners.



Heavy-Duty BBQ Brushes

18001088 (21")
W10281603 (16")
Keep the grill clean and looking like new with these durable brushes.



Rust Removing Powder Cleaner

W10278629
This heavy-duty powder cleaner with mild abrasives is great for stainless steel, porcelain, tile, fixtures, fiberglass sinks and tubs and copper-bottom pans.



Complete Cooktop Care Kit

31605
This kit has everything needed to clean and maintain the cooktop surface including cleaner, cleaning pads, protectant, protectant applicator and a scraper.



Gourmet Griddle

4396096RB
Thaws food quickly without heat and can be used on gas and electric cooktops and ranges, even those with a smooth glass surface. Fits over two burners/elements to expand cooking surface.



Porcelain Broiler Pan & Grid

4396923RW
Drains juice and helps prevent splatter and smoke, making cleaning up easy.



Universal Microwave Steamer

8205262RB
Use these dishwasher-safe hard plastic components to steam fish, vegetables or rice.



Microwave Crisper Pan

W10187336A
Pan-fry, brown and crisp foods in the microwave.



13" Brick Baking Stone

4378577
Ideal for pizzas, breads, rolls, cookies and more. Evenly distributes heat for light and crispy brick-oven style cooking.



40-Watt Appliance Bulb

8009
40-watt, 120-volt replacement bulb can be used for ovens, ranges, refrigerators and freezers.



40-Amp Power Cords

PT600 (6', 4-wire)
PT400 (4', 4-wire)
PT220 (4', 3-wire)
To ensure a correct range installation that meets electrical requirements, a new UL-listed 40-amp power cord should be used.



affresh® Cooktop Cleaner

W10355051
Cleans glass and ceramic cooktops as well as glass cookware.

Countertop Microwave Trim Kit

Create a built-in look with this trim kit for a countertop microwave. Everything needed for installation is included.

MODELS	UMC5200BAW	UMC5200BAB	UMC5200BAS
TRIM KIT			
30"	UMTK30W	UMTK30B	UMTK30S
27"	UMTK27W	UMTK27B	UMTK27S
Color options	White	Black	Stainless

#**10-Year Limited Parts Warranty**[†]

Select Maytag® appliances include components backed by a 10-year limited parts warranty[†] for long-lasting performance. **L** **R** **D** **C**

100% Stainless Steel Tub Interior

Maintains a premium appearance and resists corrosion while providing higher heat retention for better drying performance. **L**

2X Life[™] Tested

Select durable Maytag brand parts are tested to twice the average life expectancy to help ensure years of dependability. **L** **R** **D**

30-Day Quiet Guarantee[†]

If customers are not completely satisfied that their new dishwasher is quieter than their previous model, select models maybe returned within 30 days of the date of purchase for a full refund. **L**

A**ADA Compliant**

Refrigerators with this feature meet standards set by the Americans with Disabilities Act for push/pull force, height and reach and must be installed in compliance with current ADA Standards. **L**

Adaptive Defrost

Saves energy by monitoring and minimizing the length of defrost cycles. **L**

Add 1 Minute Option

Allows you to add one minute instantly to any microwave cycle already in progress. **L**

Adjustable and Removable Racks

The racks can be adjusted to customize each load or completely removed for washing oversized items in the lower rack. **L**

Adjusti-Temp[™] Deli Drawer

Helps preserve freshness of meat, cheese and other deli items by allowing cool air from the freezer to enter the drawer at an adjustable level. **L**

Advanced Moisture Sensing

Three separate sensors help to evenly dry any size load and prevent overdrying or shrinking. **L**

Advanced Vibration Control[™]

The suspension system minimizes wash drum movement during the spin cycle, and features additional padding to muffle noise and cushion vibration. Plus, enhanced software adjusts load distribution to reduce vibration and noise. **L**

Advanced Vibration Control[™] Plus

Enhanced with a combination of two ball-bearing balance rings, a six-point suspension system and advanced software, this easily handles the vibration of almost any load size. **L**

Allergen Removal

Select washers feature allergen removal, eliminating at least 95% of common allergens from fabrics. Allergens tested were dust mites and pet dander. **L**

AquaLift[™] Self-Clean Technology

The odor-free, low temperature self-clean technology that takes less than an hour. An innovative coating on the interior activates with water and heat, to release tough, baked on soils from underneath so food and debris easily wipe away. **L**

Armor Tub Interior

Grey, durable plastic interior reduces the appearance of stains to keep the dishwasher looking clean longer. **L**

Auto Clean Cycle

Gauges the soil level of the load, then automatically adjusts temperature, wash time and the number of fills accordingly for optimal cleaning without overusing resources. **L**

Auto Conversion Option

On freestanding ranges, converts temperature when using EvenAir[™] true convection cooking, helping to eliminate guesswork. **L**

B**Ball Tip Rack Tines**

Rounded tips are gentle on dishes, helping to prevent them from being scratched. **L**

Better Built Components

Select Maytag® appliances feature certain components that are better built, providing the durable, reliable performance Maytag brand is known for. **L** **R** **D**

Better Built Compressor

As the heart of the refrigerator, this Better Built compressor is engineered to deliver consistent performance for years of dependable cooling. **L**

Beverage Chiller[™] Compartment

Keeps gallon-size containers of milk, juice or other drinks up to 4°F colder than the rest of the refrigerator. **L**

Beverage Organizer[™] Rack

Opens up shelf space and keeps beverage cans and bottles neatly organized. **L**

Bridge Element

This element helps accommodate longer cookware for more cooking flexibility. **L**

BrightSeries[™] Lighting Package

Provides improved lighting for a brighter interior. **L**

C**CEE Tier Standards**

All models that meet the Consortium for Energy Efficiency (CEE) standards are efficient, with the most efficient products listed as Tier 3.^{††} Select markets qualify for CEE Tier rebates. Consult your local utility company for availability. **L** **R** **D**

Charcoal Filter

High airflow passes through this filter to quickly and efficiently help neutralize odor and remove steam from the kitchen. **L**

Clean Boost Option

By selecting this option, the internal water heater on select washers maintains water temperature throughout the entire wash cycle. This reduces the need for pretreating while enhancing cleaning performance. **L**

Clean Washer Cycle

This special cycle helps rid the wash basket and tub of odor-causing buildup. Add affresh[®] Washer Cleaner to enhance results. **L**

Closed Door Broiling

Allows you to cook food without overheating the kitchen or letting food odors escape. **L**

Cold Wash Cycle

Extra cleaning action combines with PowerSpray technology and active soak to power out tough stains like wine, chocolate and ground-in dirt in cold water. Get the performance of a warm water wash with the energy savings of cold water. **L**

Commercial-Grade, 1/3-HP Motor

Extra power makes it possible to tumble larger loads with less wear on the motor of select dryers. **L**

Commercial-Grade Dryer Belt

The industry's widest dryer belt stays strong to last long on Maytag® dryers. **L**

Commercial-Grade Glass Window

Strong scratch- and shatter-resistant glass on select lids and doors allows you to see your laundry as it washes and dries. **L**

Control Lock

When activated, this feature prohibits unwanted changes from occurring due to accidental operation. **L** **R** **D**

Convect Conversion Option

See Auto Conversion. **L**

Convect Roast

Lets you know when to check what you are roasting, taking the guesswork out of convection cooking. **L**

Cook & Hold Setting

Automatically reduces oven temperature after cooking time is up, keeping dishes warm for up to one hour. **L**

Cook More Option

Allows you to continue cooking for a percentage of the original cooking time at the same power settings. **L**

Cool Core[™] Temperature Management

Electronic sensors work with the Better Built compressor and Dual Cool® evaporators to send the right kind of cold just where you need it. **L**

Counter Depth Styling

Fits virtually flush with surrounding cabinetry for an integrated kitchen design. Creates a built-in appearance without the built-in price while eliminating installation hassles. **L**

Create-A-Space[™] Half-Rack (UXA4905ADX)

This optional rack creates additional cooking space in the oven, so you can cook more items at once. Remove the rack insert to make room for large items or attach it to make a full rack. The insert can also be used on the counter as a cooling rack. **L**

Custom Program/Memory Option

Lets you choose the appropriate cooking program for the foods you cook most often. **L**

D**Deep Water Wash**

Gives you more control over the amount of water used by raising the water level during the Heavy Duty cycle. **L**

Delay Bake Setting

Lets you program the oven to begin cooking at a preset time so dinner is conveniently ready when you need it to be. **L**

Delay Clean Setting

Lets you program the oven to begin the self-clean cycle at a preset time when it's most convenient for you and your schedule. **L**

Delay Start Option

Automatically starts the washer or dishwasher at a later time to accommodate your schedule and take advantage of reduced energy rates where available. **L** **D**

DependableClean[™] Wash System

Keeps clothes looking their best. The LoadFlex[™] agitator produces a 100° arc wash motion that rolls clothes through the wash and rinse cycles to provide a reliable clean, wash after wash. **L**

Direct Chill Ice System

Dependably produces and stores ice by directing freezer air into the sealed icebox. **L**

Direct Drive Infinite Speed Motor

Magnets propel the washer motor, assuring infinite wash, tumble and spin speeds of up to 1,100 RPM. Plus, the motor's 18-lb UL capacity rating is commercial grade. **L**

Direct Water Hook-Up

A Y-connector delivers water from the cold water inlet directly to the dryer. It eliminates the need to fill a reservoir in dryers that feature steam cycles. Included with all steam dryers. **L**

Dual Cool[®] Cooling System

Two thermostats closely monitor each compartment to help minimize wide temperature fluctuations. **L**

Dual Cool[®] Evaporators

So you can depend on your fresh and frozen food staying its best, Dual Cool[®] evaporators generate separate humidity levels in the refrigerator and freezer. **L**

Dual-Choice[™] Element

Allows you to match the element size to the pan size for more even heating and extended cooktop flexibility. **L**

Dual Temperature Zones

This specialty feature in the Beverage Center stores wine at an optimal temperature while also chilling other beverages at a different temperature. **L**

DuraClean[™] Heavy-Duty Continuous Cast-Iron Burner Grates

Makes using and moving large pots and pans easier. The durable porcelain-coated cast-iron surface takes a scrubbing without scratching to stay looking its best. **L**

DuraCushion[™] Dryer Drum

Provides a smooth, scratch-resistant surface for less friction and wear. Clothes gently glide off its surface without snagging or pilling. **L**

Dynamic Venting Technology[®]

See Fresh Hold[®] Option. **L**

E**Easy Access Freezer Storage System**

Our Dual Level Flex Divider gives you easy access to frozen favorites, moving from one side to the other for flexible organization. There's even in-door pizza storage specifically designed to keep a quick meal within easy reach. **L**

Easy Access Refrigerator Drawer

The fully extendable Easy Access refrigerator drawer holds up to 5 bags of groceries and provides accessibility even in the back. Two removable, adjustable dividers and one organizer create flexible storage options. Plus, this convenient counter-height drawer is easily accessible to the whole family, including children. **L**

EasyGlide[™] Shelves

These adjustable glass shelves slide in and out with minimal effort, making it easy to access items stored in the back of the refrigerator. **L**

EcoConserve[®] Refrigerators

Exceeding federal minimum energy standards by 30%, these extra-efficient refrigerators are rated Tier 3^{††} by the Consortium for Energy Efficiency (CEE) and help save even more money on utility bills. **L**

ENERGY STAR[®] Qualified

An ENERGY STAR[®] qualification means the appliance exceeds the federal minimum efficiency standards as set forth by the Environmental Protection Agency and the U.S. Department of Energy, helping save money on utility bills. **L** **R** **D**

Enhanced Airflow Monitor

Checks for any restrictions of airflow at the start of every cycle, then provides a convenient visual display of the dryer's venting performance. **L**

EvenAir[™] Convection

A fan evenly circulates air, providing a consistent oven temperature for uniform browning, even baking and faster roasting. **L**

EvenAir[™] True Convection

Uses a high-wattage element and fan to roast up to 30% faster than a standard oven and keep oven temperatures consistent to provide uniform browning and even baking. **L**

Exterior Temperature Controls

Located on the outside of the refrigerator, these convenient controls can be adjusted without even opening the door. **L**

External Filtered Ice and Water Dispenser

Allows easy access to chilled ice and water, even for tall glasses and pitchers. **L**

Extra-Deep Gallon Door Bins

These extra-large door bins store gallon-size containers and more. Bins are removable and adjustable for flexible loading and quick cleaning. **L**

L = Laundry **R** = Refrigeration **D** = Dishwashers **C** = Cooking

[†]Visit maytag.com for warranty details. ^{††}For specific 2X Life parts, see specification charts. †30-Day Quiet Guarantee valid through 12/31/12, visit maytag.com for details. ††Visit cee1.org for more information.

Extra Dry Option

Extends drying time 20 minutes for 20% better drying performance versus normal cycle with heated dry. **📍**

F**Fast Cool and Max Cool**

See Speed Cool Option. **📍**

Fast Ice

Produces ice at an accelerated rate so there’s always ice on hand. **📍**

Fill-N-Chill™ Dispenser

Conveniently dispenses ice and water at the same time, helping to lower the amount of time you spend standing at the dispenser. **📍**

FIT System

Adjustable inserts give the flexibility to customize wall oven installation to the cabinet cutout, so the hardest part is choosing which hard-working Maytag® oven fits your life...not your cabinet. **📍**

Flex-Choice™ Simmer Element/Burner

Provides adjustable levels of heat for a full-power element/burner and warm setting in one. **📍**

Flip-Up Utility Shelf

Located in the refrigerator door, this convenient shelf can securely hold smaller items. It can also be flipped up to store taller items like ketchup and bottles of wine on the shelf or in the bin below. **📍**

Foam-in-Place Insulation

Keeps cold air in and warm air out, helping to maintain temperatures and save energy. **📍**

Fold-Away Tines

Securely hold plates and bowls in place or fold flat to make room for larger items. **📍**

FreshFlow™ Air Filter

15 times more powerful than baking soda at reducing common food odors in the refrigerator. Replace every six months. **📍**

FreshFlow™ Produce Preserver

Absorbs the ethylene gas that causes fruits and vegetables to over ripen, extending the freshness of produce up to 4 days longer.™ Replace packet every six months. **📍**

Fresh Hold® Option

Wash and dry a load of clothes right in a Maxima® washer.™ The industry’s first built-in fan is part of Dynamic Venting Technology™ and also helps keep clean laundry fresh for up to 16 hours, depending on the model. Intermittent tumbling circulates fresh air and reduces moisture in clothes. The fan can also be turned on manually to dry out the washer. **📍**

FreshLock™ Crispers

The full-size design of these crispers provides ample storage for produce. Select crispers also feature humidity control. **📍**

Fresh Spin™ Option

Clothes periodically tumble for up to 6 hours after cycle’s end to remain fresh even if you don’t move them to the dryer right away. **📍**

Fully Integrated Controls

This durable control panel is tucked away, providing a strong, sleek exterior that lowers the possibility of unintended use. **📍**

G**Gallon Door Bins**

These strong, gallon-size door bins are removable and adjustable for flexible loading and quick cleaning. **📍**

GentleBreeze™ Drying System

Quickly and efficiently dries clothing for more consistent results. **📍**

Griddle Burner

A central burner accommodates oval-shaped pans and other long cookware for more cooking flexibility. **📍**

H**Heated Dry Option**

Allows you to select a drying cycle that includes heat so that dishes are dry when you put them away. **📍**

Heavy-Duty Hinges

As part of Maytag brand’s better built components, these hinges provide long-lasting stability for the oven door. **📍**

Heavy-Duty Oven Racks

These racks are 30% stronger than previous racks to support top 16-lb turkeys. Select models have a roll-out third rack featuring full extension glides on ball bearings that slide out smoothly for easy access to large meals. **📍**

Hi-Temp Wash Option

Adds an extra rinse and elevates the temperature to 145°F by the end of the rinse cycle to help reduce water spots and remove any remaining particles. **📍**

Hidden Bake Element

Creates a smooth oven floor, so spills are easy to clean without maneuvering around heating coils. **📍**

High-Efficiency Dryer

Uses less energy with sensors that stop clothes when they’re dry instead of prolonging the cycle for optimal efficiency. **📍**

High-Pressure Spray Jets

Create increased water pressure to remove tough food particles. **📍**

High-Side Lower Rack

Holds two 9" x 13" pans in an upright position for greater loading flexibility. **📍**

High-Temperature Alarm

Monitors the refrigerator and freezer compartments to ensure they don’t rise above 50°F or 15°F, respectively. If either compartment rises above the temperature threshold for a specified time, the light on the screen will illuminate until the alarm is reset. **📍**

Hot Surface Indicator Light

Illuminates when the cooktop surface is hot to the touch, even after the heating element has been turned off. **📍**

I**Induction Cooking**

This advanced cooking technology uses electromagnetic energy to quickly generate heat directly in the cookware, leaving the cooktop cool to the touch so food won’t bake on. **📍**

IntelliClean™ Impeller

A wash plate with fins continuously moves clothes through the water, effectively cleaning without the use of an agitator. **📍**

IntelliDry® Sensor

Measures moisture levels as clothes dry to minimize the risk of overdrying and shrinking. Clothes come out dry, yet cool to the touch. **📍**

IntelliFill™ Automatic Water Level Sensor

Built-in sensors match water usage to load size, saving both water and money. **📍**

IntelliTemp™ Automatic Temperature Control

Monitors incoming water for correct temperature. The washer begins filling after the optimal temperature has been reached. **📍**

J**Jetclean® Plus Steam Cycle**

Cleans everything from your messiest pans to your finest stemware. High pressure spray jets and increased temperatures power off tough, stuck-on food while finishing steam helps clean and reduce spots on glassware. **📍**

Jetclean® Plus Wash System

Uses high-pressure spray jets to remove tough food particles. A stainless steel chopper blade pulverizes food, preventing particles from plugging the wash system and spray jets. The filtration system captures tiny food particles to prevent redistribution during the cycle for optimal cleaning without the need to prerinse. **📍**

K**Keep Warm™ Setting**

Maintains food temperature so everything is hot and ready to serve at once. **📍**

L**LCD Display**

Easily see settings and options (on select models) with this convenient screen. **📍📍**

LED Interior Lighting

Bright white, energy efficient lighting illuminates when the door is opened for easy viewing. **📍📍📍**

Light Item Clips

Located in the upper rack, the curved clips provide gentle tension against the tine to secure lightweight items. **📍**

LoadFlex® Agitator

Flex fins and a spiral design massage clothing to wash away dirt, keeping whites white and colors bright. **📍**

Low Water Wash System

Measures and balances the load before filling and uses over 70% less water than pre-2004 traditional top load washers, delivering better cleaning performance with concentrated wash action. Low water wash technology enables detergent to penetrate stains better and to pretreat soils with a concentrated mix. **📍**

M**Max Extract™ Extended Spin Option**

Accelerates the load’s final spin to remove moisture and reduce drying time. **📍**

Maytag® Commercial Technology (MCT)

Select Maytag brand washers and dryers feature long-lasting, commercial-grade components for your home, delivering a lifetime of strength and dependability. **📍**

Measured Fill Option

This feature accurately dispenses the perfect amount of water in ounces, cups or liters. **📍**

N**NSF Certified Sanitary Washer Cycle**

Removes at least 99.9% of household bacteria in the washer. On front load washers, water temperature is increased. Top load washers use oxygenated additives and a heater. Select top load washers also use the power of steam. **📍**

NSF Certified Sanitize Dryer Cycle

Found on select dryers, this sanitizes items you would rather not wash like pillows and stuffed animals. **📍**

O**Optimal Dispensing**

Injects detergent in the correct amounts intermittently throughout the fill time. This provides significantly better cleaning performance while using less detergent. **📍**

Optimal Dose Dispenser

Works in unison with PowerSpray technology to supply the perfect mix of detergent and water throughout the beginning of the wash cycle. This provides significantly better cleaning performance while using less detergent. The dispensing compartment holds up to 12 loads of detergent." **📍**

Oxi Treat Option

Automatically dispenses oxygenated stain-fighting liquid or powder pre-treater at the right time to tackle tough stains. **📍**

P**Porcelain-on-Steel Wash Basket**

Resistant to scratches, stains and odors, this wash basket provides a smooth wash surface. **📍**

Power Center Cooktop

Various combinations of elements (electric) and burners (gas) deliver high-performance options for more cooking versatility than ever before. **📍**

Power Cook Element/Burner

These high-heat elements and burners provide the power necessary for faster boiling and better searing. They’re ideal for completing large cooking jobs, like stir-frying and canning. **📍**

Power Preheat

Preheats the oven faster than conventional Maytag® ovens to help prepare meals quicker. Gas models use Power Vents on the oven floors to improve air circulation for even quicker preheating. **📍**

PowerSpray Technology

This exclusive technology ensures even detergent distribution for enhanced cleaning performance. A mixture of detergent and water is sprayed directly onto clothes to instantly start cleaning soils and stains. **📍**

PowerWash® Cycle

On select washers, this cycle provides the best cleaning in the industry¹ enabled by the PowerWash® cycle. On all Maytag® washers with the PowerWash® cycle, a combination of extra cleaning action and a thorough rinse tackles your dirtiest loads. In select models, the built-in water heater ensures better soil and stain removal. **📍**

PowerWash® System

This system provides the best cleaning in the industry™ by combining PowerSpray technology with the PowerWash® cycle and optimal dispensing for exceptional cleaning results. **📍**

Precise Bake

Heat is evenly distributed throughout the oven, consistently cooking items for flavorful results. **📍**

Precise Broil

Provides accurate broiling results and optimal browning every time. **📍**

Precise Preheat

Preheats the oven based on the actual temperature you select—not a preset time—for accuracy and better results. **📍**

Precision Clean™ Turbidity Sensor

Detects food soil, detergent, rinse aid and temperature. Ad†optimum washing and rinsing action for superb cleaning results. **📍**

Precision Cooking™ System

This cooking system combines Precise Preheat, Precise Bake and Precise Broil to provide dependable, even cooking throughout the oven for exceptional results and optimal performance. **📍**

Precision Touch Electronic Controls

Smooth, sleek controls make choices easy with the touch of a button. It’s simple to change the interior temperature or get cubed or crushed ice from the dispenser. **📍**

Precision Warming™ Center

This dedicated fifth cooktop element keeps cooked food warm and frees up other elements for additional meal preparation. **📍**

Premium Dark DuraGuard® Nylon Racks

These heavy-duty racks help protect dishes from scratches and damage while also resisting rust. **📍**

PUR® Water and Ice Filter with Indicator Light

Reduces contaminants from household water while retaining fluoride, giving you filtered water from your refrigerator for up to 6 months.* The indicator light lets you know when it’s time to change the filter. **📍**

PureChill™ Internal Water Dispenser

Features a water dispenser inside the refrigerator cabinet for cold, fresh water at any time. **📍**

L = Laundry **R** = Refrigeration **D** = Dishwashers **C** = Cooking

¹Available on 27" and 30" double and single wall ovens. See product specifications for minimum and maximum installation dimensions. Fits cabinet cutouts from 26-15/16" to 29-7/16" for 27" and 30" single wall ovens. Fits cabinet cutouts from 48-7/8" to 52-3/16" for 27" and 30" double ovens. ^{**}Based on commonly purchased products. [†]Based on testing of a 3-lb load of lightweight fabric for 16 hours. ^{††}Based on 2X concentration of HE detergent. [‡]For Bravos® and Bravos XL® washers, among leading competitive brand top load washers; comparable cycles and settings; for Maxima® washers, among leading competitive brand front load washers; comparable cycles and settings; for Performance Series washers, among leading competitive brand front load washers; comparable cycles and settings. ^{‡‡}For Maxima®: Among leading competitive brand front load washers; comparable cycles and settings; For Bravos XL™: Among leading competitive brand top load washers; comparable cycles and settings. [¶]The contaminants or other substances removed or reduced by this water filter are not necessarily in all users' water. Use only municipally treated water or other supply known to be microbiologically safe.

PureClean™ Rinse System

Effectively removes detergent and soil. Water is first showered on the load; then, a final short agitation in clean water removes any remaining dirt and residue. **L**

Q**Quad Cool® Cooling System**

Four thermostats closely monitor each compartment, the ice maker and exterior temperatures to help minimize wide fluctuations. **L**

QuietSeries™ Sound Packages

Available on laundry pairs and dishwashers, specially designed sound absorbers and dampeners reduce noise for quieter operation and less household disruption. **L****D**

R**Ramp-Up LED Lighting**

Ramp-up LED lights reach their full output in stages, for a more premium experience. These LED lights use less energy, produce less heat than incandescent lighting and last the life of the refrigerator. **L**

Rapid Dry Cycle

Dry a small load quickly. This cycle tumbles clothes at high heat for less than 30 minutes and is ideal for sturdy, lightweight fabrics. **L**

Reliable Electronic Touch Controls

These easy-to-use touch-pad electronic controls offer precise temperature adjustment. **L****D**

Right Size Ice Cubes

These smaller ice cubes are more compact than normal ice, making them an ideal fit for refillable water bottles and easier to blend for smoothies. **L**

S**Sabbath Mode**

Overrides the oven's automatic shut-off function, keeping it active and making it possible to use the oven on the Sabbath without turning it on. **L**

Sabbath Mode

Side-by-side models: When activated, all control lights and the night-light will be disabled until the feature is turned off. Bottom-freezer and Ice2O® models: When activated, all control lights, interior lights and alarm tones will be disabled. **L**

Sealed Surface Burners with Electronic Ignition

These burners are sealed for even heating, easy cleanup and extended grate life. Electronic ignition lights the burner without the hassle of a pilot light. **L**

Self-Cleaning with Adjustable Levels

Automatically cleans the oven according to a preprogrammed cycle that allows you to match the cleaning level to the amount of food buildup in the oven—light, medium or heavy. **L**

Sensi-Care™ Wash System

The wash basket moves faster when washing big loads, moving gently at slower speeds for delicate loads. **L**

Sensor Cooking Options

Cooks a wide range of foods by monitoring and automatically adjusting cooking time as needed. **L**

Service Indicator Light

This light conveniently alerts you to when the ice maker unit may need service. **L**

Smooth Balance™ Suspension System

Reduces vibration and noise in the washer, keeping loads balanced while spinning at top performance. In the dryer, drum rollers work with drum glides for quiet operation and low vibration. **L**

SmoothClose™ Freezer Drawer Track System

This dependable drawer design makes storing and accessing frozen food easy. Opens and closes effortlessly and holds up to 120 lbs of food. **L**

SmoothClose™ Hinge

Keeps the lid on select washers from slamming shut, protecting fingers and eliminating unwanted noise. **L**

Smoothtop Glass-Ceramic Cooking Surface

This easy-to-clean cooktop surface can be scrubbed without scratching the surface, keeping it looking great longer. **L**

Soften/Melt Option

Gently and evenly soften or melt delicate food like cream cheese or chocolate without cooking or burning. **L**

SoundGuard® Dryer Drum

This special stainless steel drum is designed to help reduce noise made by zippers, buttons and other hard objects while tumbling. **L**

Speed Heat™ Element/Burner

The most powerful element available at 3,200 watts and burners that deliver 17,000 BTUs of heat and up are perfect for handling large cooking jobs such as searing steak or quickly boiling water. **L**

SpeedCook Technology

Microwaves, bakes and grills for increased cooking options while using halogen and quartz light energy to reduce cooking times compared to traditional ovens. **L**

Speed Cool Option

Gives you an easy way to get your food to the perfect temperature. So you can load up your fridge, then quickly cool it down. **L**

Spill-Catcher™ Shelves

Help contain spills for quick and easy cleanup. Spill-Catcher™ shelves also feature sealed edges and select shelves slide out for convenience. **L**

Split & Fit™ Silverware Basket

This silverware basket can be divided into two halves to fit almost any situation. **L**

Stain Clean Option

Provides enhanced cleaning performance by adjusting the initial water temperature to provide the ideal environment for detergent enzymes to work on removing organic stains. **L**

Stainless Steel Wash Basket

Resists chips, scratches and odors. Durable stainless steel maintains a smooth surface so it won't snag or pill fabrics. Select washers feature a tilted basket for easier access. **L**

Static Reduce Option

Steam is introduced at the end of the cycle to help reduce static in the load. **L**

SteamClean Option

Spot cleans the oven floor in about 20 minutes with only 1¼ cups of water—no harsh chemicals or cleaners needed. Used periodically to clean light spills, it keeps the oven floor clean and reduces the need for frequent self-clean cycles. **L**

SteamClean Option

A boost of steam penetrates deep into fabric fibers to lift out and eliminate ground-in dirt and set-in soils for a more thorough clean. **L**

Steam Dryer Cycles

Refresh a couple of items or a full load by using steam to relax wrinkles and reduce odors from dry clothing. A Y-connector delivers water directly, eliminating the need to fill a reservoir. **L**

Steam Sanitize Cycle

Sanitizes dishes with a high-temperature rinse that reduces 99.999% of food soil bacteria, then adds the finishing touch of steam. **L**

Steam for Stains Option

Available with select wash cycles including Allergen and PowerWash®, this option uses a combination of water temperature and steam to provide the optimal environment for detergent enzymes to work on removing organic stains. **L**

Store-N-Door® Dispensing System

The ice bin is in the door for more usable freezer storage space. In side-by-side models with this feature, usable freezer space is increased by 15% compared to 25 cu. ft. Maytag® refrigerator models with conventional ice makers. **L**

Strongbox™ Door Bins

Strongbox™ door bins are 50 times stronger than standard door bins in other refrigerators so you can confidently load them up with bottles, jugs and other containers. **L**

Strongbox™ Hinge Design

Provides structural integrity for the door frame, keeping doors aligned and reducing cold air loss. **L**

Strong Grip Tiered Upper Rack

With an improved design, this rack makes room for tall items while providing easy access and a modern look with the durability and strength Maytag brand is known for. **L**

T**Tiered Upper Rack**

With an improved design, this upper rack holds tall items like 9" plates and glasses while providing easy access. It also creates enough room in the lower rack to vertically place two 9" x 13" pans. **L**

Timed Release Bleach System

Adds chlorine bleach during the last five minutes of the wash cycle for bright whites. **L**

Timed Release Detergent System

Distributes laundry detergent by channeling water through the dispenser and spraying from the top, rather than the bottom, like other front load washers. **L**

ToughScrub™ and ToughScrub™ Plus Options

The ToughScrub™ option maintains or raises the temperature to 145°F and increases wash time to power off dried-on, baked-on food. ToughScrub™ Plus option maintains or raises the temperature to 156°F and also incorporates steam as an added attack against difficult food soils. **L**

Triple-Choice™ Element

Provides more cooktop options and ensures even heating by allowing you to match the cooking surface to the pan size. **L**

Triple-Cool™ Cooling System

Three thermostats closely monitor each compartment and the ice maker to help minimize wide temperature fluctuations. **L**

U**Upswept Cooktop Design**

The raised edges of this cooktop help contain spills for easy cleanup. **L**

W**Water Save Spray Rinse Option**

For improved energy efficiency, this option minimizes water use during spinning by spraying the load instead of filling up the washer. **L**

Wide-N-Fresh™ Deli Drawer

This drawer is the ideal size for large party platters, deli trays and snacks. Most models feature temperature controlled drawers. **L**

WideGlide™ Tray

Designed to move throughout the microwave for uniform cooking results—even in cookware as large as a 10" x 15" pan. **L**

Wrinkle Prevent Option

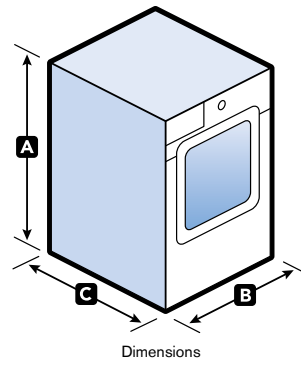
The dryer continues to tumble after clothes are dry, without heat, to help prevent wrinkles from setting in. **L**

Z**Zinc-Coated, Tuned Leveling Legs**

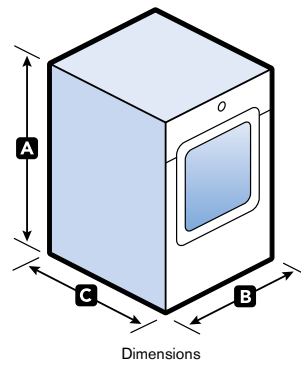
Specially designed leveling legs minimize vibration during high washer spin speeds. **L**

L = Laundry **R** = Refrigeration **D** = Dishwashers **C** = Cooking

WASHER MODELS	MHW6000X	MHW7000X	MHW9000Y
CYCLES			
PowerWash®	•	•	•
Allergen	•	•	•
Wrinkle Control	•	•	•
Whites	•	•	•
Heavy Duty	•	•	•
Normal	•	•	•
Bedding	•	•	•
Delicate	•	•	•
Soak	•	•	•
Clean Washer with affresh® Washer Cleaner	•	•	•
Small Load	•	•	•
Rinse/Drain & Spin	•	•	•
Handwash	•	•	•
Specialty cycles	•	•	•
OPTIONS			
Fresh Hold®	•	•	•
Steam for Stains	•	•	•
Oxi Boost	•	•	•
Stain Clean	•	•	•
Delay Start	8-hour	10-hour	•
Max Extract™ extended spin	•	•	•
Extra Rinse	•	•	•
Adjustable end-of-cycle signal	•	•	•
Control lock	•	•	•
DIMENSIONS			
Height (A)	38"	38"	38"
Width (B)	27"	27"	27"
Depth (C)	31-1/2"	31-1/2"	31-1/2"
Approximate shipping weight	245 lbs	245 lbs	255 lbs



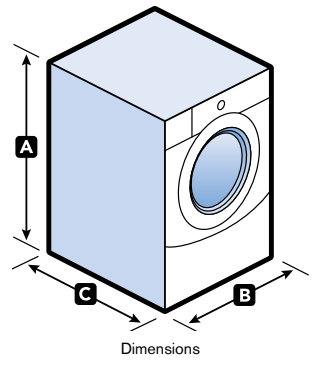
ELECTRIC DRYER MODELS	MED6000X	MED7000X	MED9000Y
GAS DRYER MODELS			
MGD6000X			
MGD7000X			
MGD9000Y			
CYCLES			
Auto Refresh (steam cycle)	•	•	•
Custom Refresh (steam cycle)	•	•	•
Towels (sensor cycle)	•	•	•
Heavy Duty (Eco sensor cycle)	•	•	•
Normal (Eco sensor cycle)	•	•	•
Denim (Eco sensor cycle)	•	•	•
Delicate (Eco sensor cycle)	•	•	•
Bedding (Eco sensor cycle)	•	•	•
Wrinkle Control (Eco sensor cycle)	•	•	•
Timed Dry (timed cycle)	•	•	•
Small Load (timed cycle)	•	•	•
Specialty cycles	•	•	•
OPTIONS			
Steam Boost	•	•	•
Reduce Static	•	•	•
Drum light	•	•	•
Wrinkle Prevent	up to 60 minutes/up to 150 minutes	up to 120 minutes	up to 140 minutes
Wrinkle Prevent with steam	•	up to 120 minutes	up to 140 minutes
End-of-cycle signal	•	•	•
Control lock	•	•	•
DIMENSIONS			
Height (A)	38"	38"	38"
Width (B)	27"	27"	27"
Depth (C)	31-1/8"	31-1/8"	31-1/8"
Approximate shipping weight	Electric 140 lbs Gas 141 lbs	Electric 140 lbs Gas 141 lbs	Electric 175 lbs Gas 175 lbs



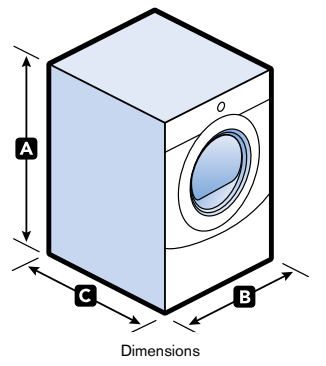
Bold type indicates step-up feature

Height dimensions will vary according to adjustment of leveling legs. Dimensions shown are for planning purposes only. See Installation Instructions packed with product for complete information.

WASHER MODELS	MHWE201Y	MHWE301Y	MHWE950W
CYCLES			
PowerWash®	•	•	•
Sanitary	•	•	•
Whites	•	•	Steam Cycle
Heavy Duty	•	•	Steam Cycle
Normal	•	•	Steam Cycle
Quick/Rapid Wash	•	•	•
Allergen	•	•	•
Cold Wash	•	•	•
Comforters	•	•	•
Delicate	•	•	•
Silk	•	•	•
Handwash	•	•	•
Soak	•	•	•
Clean Washer with affresh® Washer Cleaner	•	•	Steam Cycle
Rinse & Spin	•	•	•
Drain & Spin	•	•	•
Rinse, Drain & Spin	•	•	•
OPTIONS			
Fresh Hold®	•	•	•
Fresh Spin™	•	•	•
Oxi Treat	•	•	•
Sanitize	•	•	•
Soak time	•	•	•
SteamClean	•	•	•
Prewash	•	•	•
2nd/Extra Rinse	•	•	•
Delay Start	2/8/10 hour	2/8/10 hour	16-hour
Quiet	•	•	•
Pause/Cancel	•	•	•
Adjustable end-of-cycle signal	On/Off	On/Off	•
Control lock	•	•	•
DIMENSIONS			
Height (A)	36"	36"	38"
Width (B)	27"	27"	27"
Depth (C)	30-1/2"	30-1/2"	32-1/2"
Approximate shipping weight	214 lbs	214 lbs	216 lbs



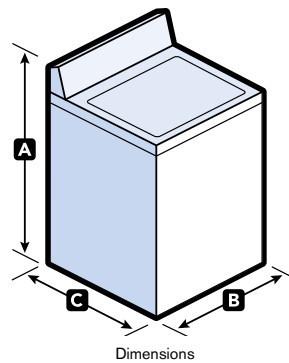
ELECTRIC DRYER MODELS	MEDE201Y	MEDE301Y	MEDE500V/W	MEDE900V
GAS DRYER MODELS				
MGDE201Y				
MGDE301Y				
MGDE500V/W				
MGDE900V				
CYCLES				
Auto Refresh (steam cycle)	•	•	•	•
Rapid Refresh (steam cycle)	•	•	•	•
Custom Refresh (steam cycle)	•	•	•	•
Heavy Duty (sensor cycle)	•	•	•	•
Bulky Items (sensor cycle)	•	•	•	•
Normal (sensor cycle)	•	•	•	•
Casual (sensor cycle)	•	•	•	•
Damp Dry (sensor cycle)	•	•	•	•
Wrinkle Control (sensor cycle)	•	•	•	•
Eco Normal (sensor cycle)	•	•	•	•
Delicate (sensor cycle)	•	•	•	•
Super Delicate	•	•	•	•
Sanitize	•	•	•	•
Freshen Up	•	•	•	•
Quick/Rapid Dry	•	•	•	•
Timed Dry	•	•	•	•
OPTIONS				
Drum light	•	•	•	•
Damp Dry signal	•	•	•	•
Wrinkle Prevent	up to 90 minutes/Off	up to 90 minutes/Off	up to 120 minutes	up to 140 minutes
End-of-cycle signal	On/Off	On/Off	Adjustable	Adjustable
Control lock	•	•	•	•
DIMENSIONS				
Height (A)	36"	36"	38"	38"
Width (B)	27"	27"	27"	27"
Depth (C)	29"	29"	32-9/16"	32-9/16"
Approximate shipping weight	137 lbs	137 lbs	146 lbs	146 lbs



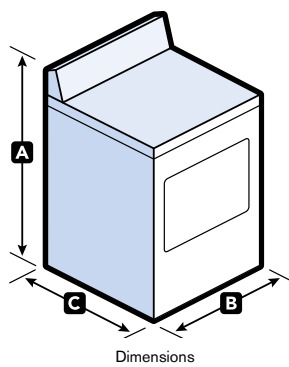
Bold type indicates step-up feature

Height dimensions will vary according to adjustment of leveling legs. Dimensions shown are for planning purposes only. See Installation Instructions packed with product for complete information.

WASHER MODELS	MVWB750Y	MVWB850Y	MVWB950Y
CYCLES			
PowerWash®	•	•	•
Bulky	•	•	•
Clean Washer with affresh® Washer Cleaner	•	•	•
Delicate/Handwash	•	•	•
Heavy Duty	•	•	•
Normal	•	•	•
Rapid Wash	•	•	•
Rinse/Drain & Spin	•	•	•
Whites	•	•	•
Sheets	•	•	•
Colors/Towels	•	•	•
Cold Wash	•	•	•
Allergen	•	•	•
Active Wear	•	•	•
Soak	•	•	•
Sanitary with Oxi	•	•	•
OPTIONS			
End Signal	High/Low/Off	High/Low/Off	High/Low/Off
Fabric softener	•	•	•
Water Save Spray rinse	•	•	•
Extra Rinse	•	•	•
Temperature settings	Cold/Warm/Hot	Cold/ Cool /Warm/Hot	Eco cold /Cold/Coool/Warm/Hot
Spin speed	Low/Medium/Max Extract™	No spin /Low/Medium/Max Extract™	No spin/Low/Medium/Max Extract™
Soil level	Light/Medium/Heavy	Light/Medium/Heavy/ Extra heavy	Light/Medium/Heavy/Extra heavy
Delay Start			up to 18 hours
Clean Boost with heater			•
Oxi Treat Stains			•
Clean Washer Reminder reset	•	•	•
DIMENSIONS			
Height (A)	45"	45"	45"
Width (B)	27-1/2"	27-1/2"	27-1/2"
Depth (C)	27-1/2"	27-1/2"	27-1/2"
Approximate shipping weight	175 lbs	175 lbs	175 lbs



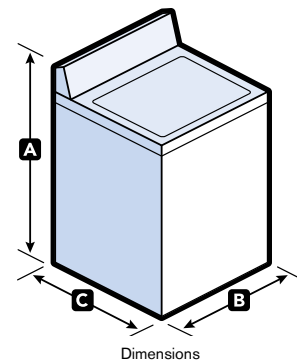
DRYER MODELS	MEDB750Y	MEDB850Y	MEDB950Y
GAS DRYER MODELS	MGDB750Y	MGDB850Y	MGDB950Y
CYCLES			
Timed Dry	•	•	•
Small Load	•	•	•
Freshen Up	•	•	•
Heavy Duty	•	•	•
Normal	•	•	•
Delicate	•	•	•
Wrinkle Control	•	•	•
Sheets	•	•	•
Bulky	•	•	•
Sanitize	•	•	•
Towels	•	•	•
Auto Refresh (steam cycle)		•	•
Custom Refresh (steam cycle)			•
Active Wear			•
Denim			•
OPTIONS			
Wrinkle Prevent	up to 150 minutes	up to 150 minutes	up to 150 minutes with steam
Damp Dry signal	•	•	•
Adjustable end-of-cycle signal	High/Low/Off	High/Low/Off	High/Low/Off
Steam Boost			•
Reduce Static			•
Temperature settings	Air only/Extra low/Low/Medium/High	Air only/Extra low/Low/Medium/High	Air only/Extra low/Low/Medium/High
Dryness levels	Damp/Less/Normal/More	Damp/Less/Normal/More/ Very	Damp/Less/Normal/More/Very
Number of garments			1-2, 3-4, 5-6, 7-9, 10-12
Drum light	Automatic/Manual	Automatic/Manual	Automatic/Manual
DIMENSIONS			
Height (A)	45"	45"	45"
Width (B)	29"	29"	29"
Depth (C)	29-1/4"	29-1/4"	29-1/4"
Approximate shipping weight	156 lbs	156 lbs	156 lbs



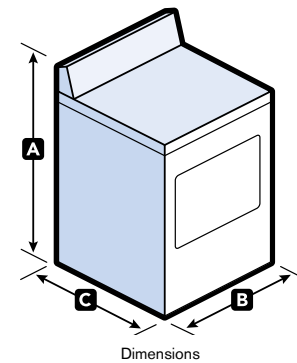
Bold type indicates step-up feature

Height dimensions will vary according to adjustment of leveling legs. Dimensions shown are for planning purposes only. See Installation Instructions packed with product for complete information.

WASHER MODELS	MVWX500X	MVWX600X	MVWX700X
CYCLES			
PowerWash®		•	•
Heavy Duty	•		
Whites		•	•
Bulky	•	•	•
Normal	•	•	•
Wrinkle Control	•	•	•
Allergen			•
Hand Wash	•	•	•
Drain & Spin	•	•	•
Rinse & Spin	•	•	•
Soak		•	•
Clean Washer with affresh® Washer Cleaner	•	•	•
OPTIONS			
Prewash			•
Fabric Softener	•	•	•
Extra Rinse	•	•	•
Deep Clean		•	•
Temperature setting	Hot/Warm/Cool/Cold	Hot/Warm/Cool/Cold/ Tap Cold	Hot/Warm/Cool/Cold/Tap Cold
Soil level	Heavy/Medium/Light	Extra Heavy/Heavy/Medium/Light	Extra Heavy/Heavy/Medium/ Medium Light /Light
Spin speed	High/Low/No Spin	High/Low/No Spin	High/Low/No Spin
Adjustable end-of-cycle signal			•
DIMENSIONS			
Height (A)	43"	43"	43"
Width (B)	27-1/2"	27-1/2"	27-1/2"
Depth (C)	27"	27"	27"
Height with lid open	58"	58"	58"
Approximate shipping weight	140 lbs	140 lbs	140 lbs



ELECTRIC DRYER MODELS	MEDX500X	MEDX600X	MEDX700X
GAS DRYER MODELS	MGDX500X	MGDX600X	MGDX700X
CYCLES			
Eco Normal (sensor cycle)			•
Sanitize (sensor cycle)		•	•
Heavy Duty (sensor cycle)		•	•
Normal (sensor cycle)	•	•	•
More Dry (sensor cycle)	•		
Less Dry (sensor cycle)	•		
Wrinkle Control (sensor cycle)		•	•
Delicate (sensor cycle)		•	•
Extra Delicate (sensor cycle)		•	•
Timed Dry	10-70 minutes	•	•
Rapid Dry		•	•
Touch Up		•	•
OPTIONS			
Wrinkle Prevent	up to 90 minutes	up to 60 minutes/up to 150 minutes	up to 60 minutes/up to 150 minutes
Damp Dry signal		•	•
Temperature setting	High/Medium/Low/Air Dry	High/Medium/Low/ Extra Low /Air Dry	High/Medium/Low/Extra Low/Air Dry
Dryness level		More/Normal/Less	More/Normal/Less
End-of-cycle signal	•	High/Low/Off	High/Low/Off
Drum light			•
DIMENSIONS			
Height (A)	43"	43"	43"
Width (B)	27"	27"	27"
Depth (C)	29-1/4"	29-1/4"	29-1/4"
Depth with door open	52-1/2"	52-1/2"	52-1/2"
Approximate shipping weight	120 lbs	120 lbs	120 lbs



Bold type indicates step-up feature

Height dimensions will vary according to adjustment of leveling legs. Dimensions shown are for planning purposes only. See Installation Instructions packed with product for complete information.

WASHER MODELS	MVWC200X	MVWC300X	MVWC350A	MVWC400X	MVWC450X
CYCLES					
Heavy Duty Regular	•	•	•	•	•
Heavy Duty Heavy	•	•	•	•	•
Normal Heavy	•	•	•	•	•
Normal Regular	•	•	•	•	•
Normal Light	•	•	•	•	•
Casual	•	•	•	•	•
Casual Regular	•	•	•	•	•
Casual Light	•	•	•	•	•
Delicate	•	•	•	•	•
Clean Washer	•	•	•	•	•
Bulky	•	•	•	•	•
Drain & Spin	•	•	•	•	•
Rinse & Spin	•	•	•	•	•

OPTIONS					
Extra Rinse		On/Off	On/Off	On/Off	On/Off
Deep Clean				On/Off	On/Off
Deep Water Wash			No/Yes		
Fabric Softener	No/Yes	No/Yes	No/Yes	No/Yes	No/Yes
Water level	Super Plus/Large/Medium/Small				
Temperature settings	Hot/Warm/Cool/Cold	Hot/Warm/Cool/Cool Lights/Cool Darks	Hot/Warm/Cool/Cool Lights/Cool Darks	Hot/Warm/Cool/Cold	Hot/Warm/Cool/Cold

DIMENSIONS					
Height (A)	43"	43"	43"	43"	43"
Width (B)	27-1/2"	27-1/2"	27-1/2"	27-1/2"	27-1/2"
Depth (C)	27"	27"	27"	27"	27"
Approximate shipping weight	136 lbs	132 lbs	132 lbs	135 lbs	135 lbs

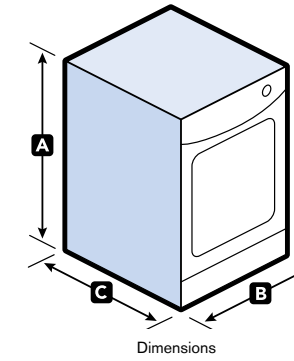
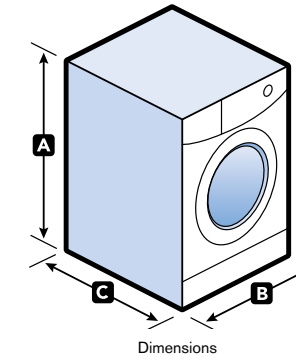
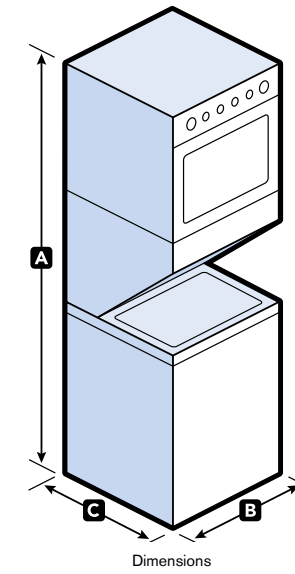
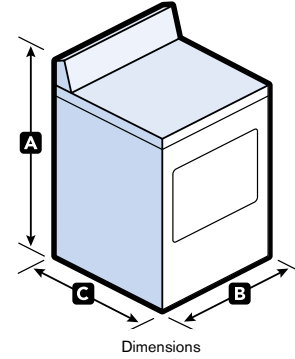
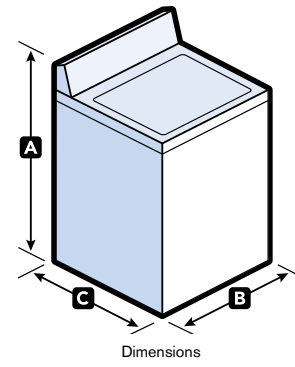
ELECTRIC DRYER MODELS	MEDC200X	MEDC300X
GAS DRYER MODELS	MGDC200X	MGDC300X

CYCLES		
Automatic Dry (low heat, very dry)	•	
Automatic Dry (high heat, more dry)	•	
Automatic Dry (high/low heat, energy preferred)	•	
Automatic Dry (high/low heat, less dry)	•	
Air Fluff	10-20 minutes	
Timed Dry	10-70 minutes	10-70 minutes
Cool Down		•
Freshen Up		•
Wrinkle Prevent		•
Sensor Dry (more dry)		•
Sensor Dry (energy preferred)		•
Sensor Dry (less dry)		•

OPTIONS		
End-of-cycle signal	•	•
Air Fluff	•	•
Low Delicate	•	•
Medium Casual	•	•
High Heavy	•	•

DIMENSIONS		
Height (A)	43"	43"
Width (B)	29"	29"
Depth (C)	27-13/16"	27-13/16"
Approximate shipping weight	125 lbs	125 lbs

Bold type indicates step-up feature



STACKED LAUNDRY PAIR	MET3800T MGT3800T
----------------------	----------------------

WASHER CYCLES	
Casual Regular	•
Casual Light	•
Normal Heavy	•
Normal Regular	•
Normal Light	•
Delicates Heavy	•
Delicates Regular	•
Delicates Light	•
Prewash	•

DRYER CYCLES	
Sensor Dry	High/Low Heat/More Dry
Sensor Dry	High/Low Heat/Energy Preferred
Sensor Dry	High/Low Heat/Less Dry
Timed Dry	•
Timed Dry	Freshen Up
Air Fluff	•

DRYER OPTIONS	
Wrinkle Prevent	•

DIMENSIONS	
Height (A)	73"
Width (B)	27"
Depth (C)	32"
Depth with door open 90°	51-1/4"

Approximate shipping weight	Electric 312 lbs Gas 310 lbs
-----------------------------	---------------------------------

WASHER MODEL	MHWC7500Y
--------------	-----------

CYCLES	
Normal	•
Rapid Wash	•
Delicates	•
Clean Washer	•
Drain/Spin	•
Rinse/Spin	•
Heavy Duty	•
Wrinkle Control	•

OPTIONS	
Delay Start	•
Prewash	•
Second Rinse	•
Wrinkle Prevent	•
Max Extract	•
Low Spin	•

DIMENSIONS	
Height (A)	33-1/2"
Width (B)	23-1/2"
Depth (C)	24"
Depth with door open 90°	36-1/4"
Approximate shipping weight	172 lbs

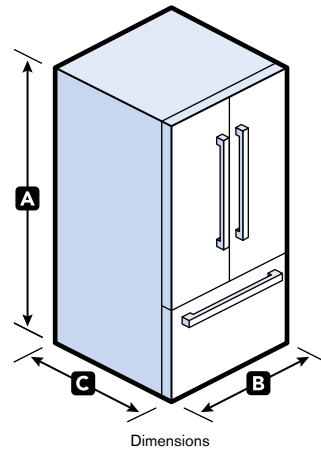
DRYER MODEL	MED7500Y
-------------	----------

CYCLES	
Timed Dry cycle	20/40/60
More Dry cycle	Regular/Synthetic
Normal cycle	Regular/Synthetic
Iron Dry cycle	Regular/Synthetic
Damp Dry cycle	Regular/Synthetic

DIMENSIONS	
Height (A)	33-1/4"
Width (B)	23-3/8"
Depth (C)	23-1/4"
Depth with door open 90°	39"
Approximate shipping weight	89 lbs

Height dimensions will vary according to adjustment of leveling legs. Dimensions shown are for planning purposes only. See Installation Instructions packed with product for complete information.

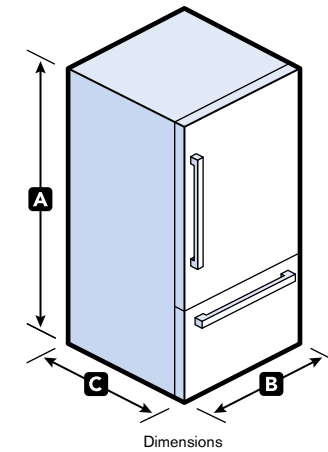
Height dimensions will vary according to adjustment of leveling legs. Dimensions shown are for planning purposes only. See Installation Instructions packed with product for complete information.



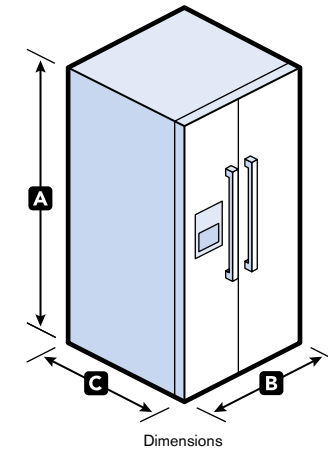
ICE ₂ ® MODELS	MFI2067AE	MFI2269VE	MFI2665XE	MFI2670XE	MFT2976AE	MF22570AE
DIMENSIONS & SPECIFICATIONS						
Height including door hinges (A)	70-1/8"	70-1/8"	70-1/8"	70-1/8"	69-15/16"	70-1/8"
Width (B)	35-5/8"	32-5/8"	35-5/8"	35-5/8"	35-5/8"	35-5/8"
Depth including handles (C)	30-1/4"	34-1/4"	35-1/4"	35-1/4"	35-2/3"	35-5/8"
Height excluding door hinges	68-5/8"	68-1/2"	68-5/8"	68-5/8"	68-5/8"	68-5/8"
Depth excluding handles	27-7/8"	31-7/8"	32-7/8"	32-7/8"	28-15/16"	32-7/8"
Depth w/door open 90°	43"	47"	48"	48"	48"	48"
Depth of cabinet	24-1/16"	28"	29"	29"	28-15/16"	29"
Approximate shipping weight	325 lbs	350 lbs	375 lbs	375 lbs	352 lbs	298 lbs
CAPACITY						
Total shelf area (sq. ft.)	20.9	22.4	26.1	26.1	26.8	25.0
Total volume (cu. ft.)	19.8	22.0	25.6	25.6	28.6	25.0
Fresh food volume (cu. ft.)	14.9	16.0	19.0	19.0	20.9	18.4
Freezer volume (cu. ft.)	4.9	6.0	6.6	6.6	7.7	6.6

MODELS	MFF2258VE	MFF2558VE	MFD2562VE	MFC2061KE	MFF2055YE
DIMENSIONS & SPECIFICATIONS					
Height including door hinges (A)	70-1/8"	70-1/8"	70-1/8"	69-15/16"	68-1/2"
Width (B)	32-5/8"	35-5/8"	35-5/8"	35-5/8"	29-1/2"
Depth including handles (C)	34-1/2"	35-1/2"	35-1/2"	29-3/8"	34-5/8"
Height excluding door hinges	68-7/8"	68-7/8"	68-7/8"	68-9/16"	67-1/2"
Depth excluding handles	32"	33"	33"	26-7/8"	32-5/16"
Depth w/door open 90°	47-1/8"	48-1/8"	48-1/8"	43"	52-1/2"
Depth of cabinet	28-1/8"	29-1/8"	29-1/8"	24-1/8"	28-1/2"
Approximate shipping weight	350 lbs	350 lbs	350 lbs	325 lbs	255 lbs
CAPACITY					
Total shelf area (sq. ft.)	21.5	28.8	28.8	22.2	19.7
Total volume (cu. ft.)	21.8	24.8	24.8	19.8	19.5
Fresh food volume (cu. ft.)	16.1	17.5	17.5	14.4	13.5
Freezer volume (cu. ft.)	5.7	7.3	7.3	5.4	6

Dimensions shown are for planning purposes only. See Installation Instructions packed with product for complete information.

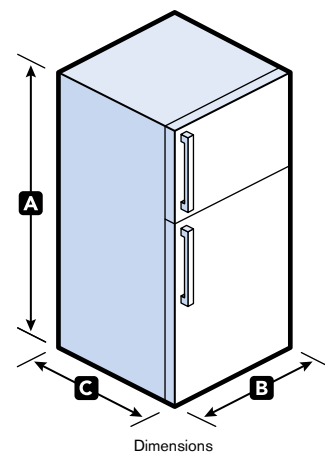


MODELS	MBF1958XE	MBF2258XE	MBR2258XE	MBL2258XE
DIMENSIONS & SPECIFICATIONS				
Height including door hinges (A)	66-15/16"	69-15/16"	69-15/16"	69-15/16"
Width (B)	29-5/8"	32-5/8"	32-5/8"	32-5/8"
Depth including handles (C)	33-3/8"	33-3/8"	33-3/8"	33-3/8"
Height excluding door hinges	65-1/2"	68-1/2"	68-1/2"	68-1/2"
Depth excluding handles	30-7/8"	30-7/8"	30-7/8"	30-7/8"
Depth w/door open 90°	59"	62"	62"	62"
Depth of cabinet	28-1/8"	28-1/8"	28-1/8"	28-1/8"
Approximate shipping weight	250 lbs	260 lbs	260 lbs	260 lbs
CAPACITY				
Total shelf area (sq. ft.)	20.0	23.5	23.5	23.5
Total volume (cu. ft.)	18.5	21.9	21.9	21.9
Fresh food volume (cu. ft.)	12.9	15.6	15.6	15.6
Freezer volume (cu. ft.)	5.6	6.3	6.3	6.3



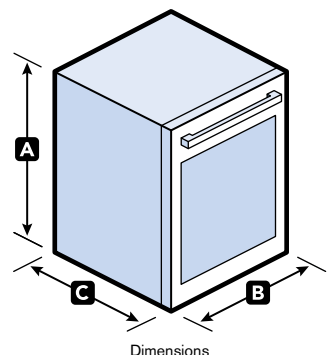
MODELS	MSD2273VE	MSF22C2EX	MSF25D2EA	MSF25C2EX	MSD2573VE	MSB27C2XA
DIMENSIONS & SPECIFICATIONS						
Height including door hinges (A)	66-3/4"	66-3/4"	69-3/4"	69-3/4"	69-5/8"	69"
Width (B)	32-3/4"	32-3/4"	35-1/2"	35-1/2"	35-1/2"	35-1/2"
Depth including handles (C)	33-7/8"	33-3/4"	33-3/4"	33-3/4"	33-1/4"	34"
Height excluding door hinges	65-7/8"	65-7/8"	68-7/8"	68-7/8"	68-7/8"	68-1/2"
Depth excluding handles	31-3/8"	31-7/8"	30-7/8"	31-7/8"	31-1/4"	32-3/8"
Depth w/door open 90°	49-7/8"	49-7/8"	49-7/8"	49-7/8"	49-7/8"	50-3/4"
Depth of cabinet	28-7/8"	29-1/4"	29-1/4"	28-7/8"	28-7/8"	29-5/16"
Approximate shipping weight	315 lbs	220 lbs	348 lbs	270 lbs	298 lbs	298 lbs
CAPACITY						
Total shelf area (sq. ft.)	19.8	20.5	21.5	24.3	24.3	27.1
Total volume (cu. ft.)	21.8	21.8	25.1	25.1	25.1	26.5
Fresh food volume (cu. ft.)	14.4	14.4	15.2	15.2	15.2	16.6
Freezer volume (cu. ft.)	7.4	7.4	9.9	9.9	9.9	9.9

Dimensions shown are for planning purposes only. See Installation Instructions packed with product for complete information.



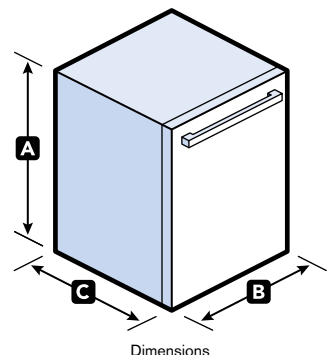
Dimensions

MODELS	M4TXNWFY	M8RXEGMA	M9BXXGMY	M1TXEGMY	M1BXXGMY
DIMENSIONS & SPECIFICATIONS					
Height including door hinges (A)	62-3/4"	68"	66-1/3"	66-1/3"	66-1/3"
Width (B)	28"	28"	29-1/2"	32-1/2"	32-1/2"
Depth including handles (C)	31-1/2"	30-3/8"	33-7/8"	32-3/4"	34"
Height excluding door hinges	62-1/8"	67-3/8"	65-1/2"	65-1/2"	65-1/2"
Depth excluding handles	29-3/4"	30-3/8"	32-1/2"	30-5/8"	32-1/2"
Depth w/door open 90°	57"	54-3/8"	59-1/4"	62-1/4"	62-1/4"
Depth of cabinet	27-3/4"	27-1/8"	28-1/2"	28-1/2"	28-1/2"
Approximate shipping weight	190 lbs	225 lbs	183 lbs	205 lbs	205 lbs
CAPACITY					
Total shelf area (sq. ft.)	17.1	18.7	18	21	20.2
Total volume (cu. ft.)	14.4	17.5	18.9	20.6	21
Fresh food volume (cu. ft.)	10.6	13.5	13.6	14.4	15
Freezer volume (cu. ft.)	3.8	4.1	5.3	6.2	6.1



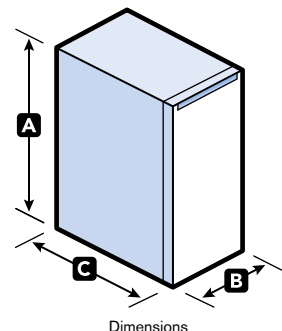
Dimensions

BEVERAGE CENTER	MBCM24FWB
DIMENSIONS & SPECIFICATIONS	
Height (A)	34-5/8" - 35-1/8"
Width (B)	23-3/4"
Depth including handle (C)	26-13/16"
Depth excluding handle	24-3/8"
Depth w/door open 90°	47"
Approximate shipping weight	134 lbs
CAPACITY	
Total shelf area (sq. ft.)	7.9
Total volume (cu. ft.)	5.8



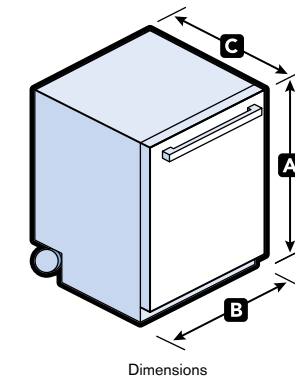
Dimensions

REFRIGERATOR	MURM24FWB
DIMENSIONS & SPECIFICATIONS	
Height (A)	34-5/8" - 35-1/8"
Width (B)	23-3/4"
Depth including handle (C)	26-13/16"
Depth excluding handle	24-3/8"
Depth w/door open 90°	47"
Approximate shipping weight	120 lbs
CAPACITY	
Total shelf area (sq. ft.)	6.7
Total volume (cu. ft.)	5.7

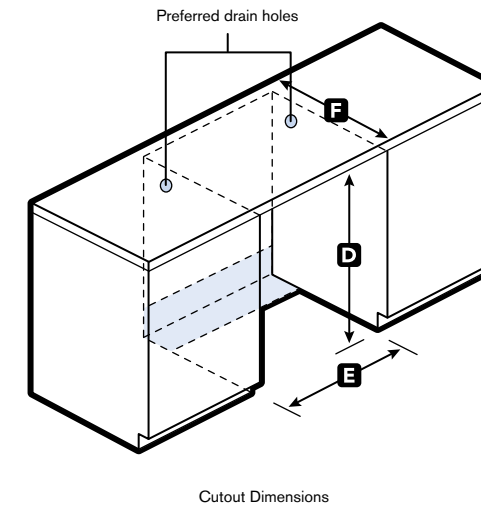


Dimensions

ICE MAKER	MIM1554XR	MIM1555YR
DIMENSIONS & SPECIFICATIONS		
Height (A)	33-5/8" - 34-3/8"	33-5/8" - 34-3/8"
Width (B)	14-7/8"	14-7/8"
Depth including handle (C)	24-3/8"	24-3/8"
Depth excluding handle	23-1/8"	23-1/8"
Depth w/door open 90°	36-7/8"	36-7/8"
Approximate shipping weight	98 lbs	98 lbs



Dimensions



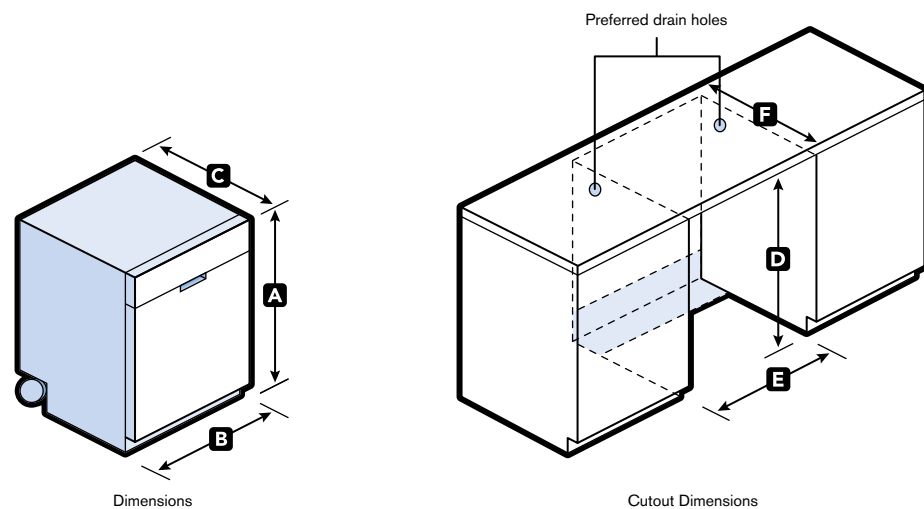
Cutout Dimensions

MODELS	MDB6769PA	MDB7759SA	MDB8959SA
DIMENSIONS & SPECIFICATIONS			
Height (A)	33-7/8" - 34-1/2"	33-7/8" - 34-1/2"	33-7/8" - 34-1/2"
Width (B)	23-7/8"	23-7/8"	23-7/8"
Depth including handle (C)	27-1/2"	27-1/2"	27-1/2"
Depth excluding handle	24-1/2"	24-1/2"	24-1/2"
Approximate shipping weight	85 lbs	92 lbs	103 lbs
Volts (Amps) required	120 (15)	120 (15)	120 (15)
CUTOUT DIMENSIONS			
Minimum height (D)	34"	34"	34"
Width (E)	24"	24"	24"
Depth (F)	24"	24"	24"
CYCLES			
Jetclean® Plus Steam	•	•	•
Auto Clean	•	•	•
Normal Wash	•	•	•
Light Wash	•	•	•
Rinse Only	•	•	•
Quick Wash	•	•	•
OPTIONS			
ToughScrub™ Plus			•
ToughScrub™	•	•	•
Steam Sanitize	•	•	•
Hi-Temp Wash	•	•	•
Heated Dry	•	•	•
Extra Dry			•
Delay Start	2/4/8 Hour	2/4/8 Hour	2/4/8 Hour
Control lock	•	•	•

Bold type indicates step-up feature

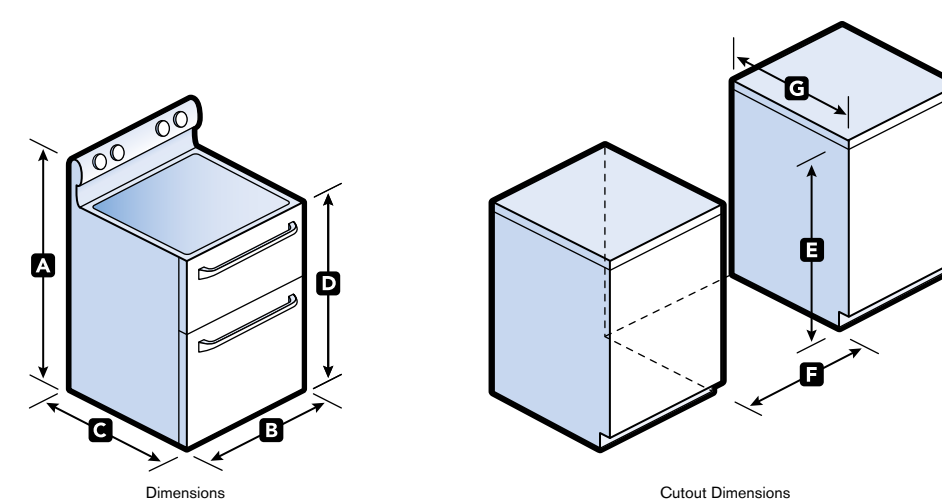
Dimensions shown are for planning purposes only. See Installation Instructions packed with product for complete information.

Dimensions shown are for planning purposes only. See Installation Instructions packed with product for complete information.



MODELS	MDB4409PA	MDB4709PA	MDB7749SA
DIMENSIONS & SPECIFICATIONS			
Height (A)	33-7/8" - 34-1/2"	33-7/8" - 34-1/2"	33-7/8" - 34-1/2"
Width (B)	23-7/8"	23-7/8"	23-7/8"
Depth including console (C)	25-1/8"	25-1/8"	25-1/8"
Depth excluding console	24-1/2"	24-1/2"	24-1/2"
Approximate shipping weight	85 lbs	85 lbs	92 lbs
Volts (Amps) required	120 (15)	120 (15)	120 (15)
CUTOUT DIMENSIONS			
Minimum height (D)	34"	34"	34"
Width (E)	24"	24"	24"
Depth (F)	24"	24"	24"
CYCLES			
Jetclean® Plus Steam			•
Auto Clean			•
Heavy Wash	•	•	
Normal Wash	•	•	•
Light Wash	•	•	•
Rinse Only	•	•	•
Quick Wash		•	•
1-Hour Wash	•		
OPTIONS			
ToughScrub™			•
Steam Sanitize		•	•
Hi-Temp Wash	•	•	•
Hi-Temp Rinse	•		
Heated Dry	•	•	•
Delay Start	4-Hour	2/4/8 Hour	2/4/8 Hour
Control lock		•	•

Bold type indicates step-up feature



ELECTRIC MODELS	MET8665X	MET8775X	MET8885X
DIMENSIONS & SPECIFICATIONS			
Height (A)	47-1/8"	47-1/8"	47-1/8"
Width (B)	29-15/16"	29-15/16"	29-15/16"
Depth including handles (C)	28-1/2"	28-1/2"	28-1/2"
Height to cooktop (D)	36"	36"	36"
Approximate shipping weight	225 lbs	225 lbs	225 lbs
Volts (Amps) required	220 (40)	220 (40)	220 (40)
Total connected load (KW @240V/208V)	13.9/10.5	14/10.5	13.5/10.1

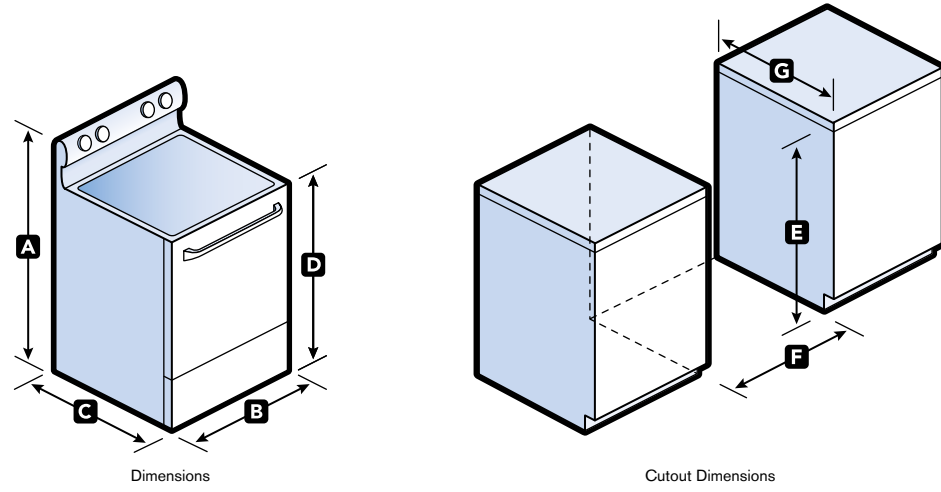
CUTOUT DIMENSIONS			
Height (E)	36"	36"	36"
Width (F)	30-1/8"	30-1/8"	30-1/8"
Depth excluding handles (G)	24"	24"	24"
INTERIOR CAVITY OVEN DIMENSIONS			
Upper oven height	9-3/8"	9-3/8"	9-3/8"
Upper oven width	25"	25"	25"
Upper oven depth	18-1/2"	18-1/2"	18-1/2"
Lower oven height	16"	16"	16"
Lower oven width	25"	25"	25"
Lower oven depth	18-1/8"	18-1/8"	18-1/8"

GAS MODELS	MGT8655X	MGT8775X	MGT8885X
DIMENSIONS & SPECIFICATIONS			
Height (A)	47-1/8"	47-1/8"	47-1/8"
Width (B)	29-15/16"	29-15/16"	29-15/16"
Depth including handles (C)	28-1/2"	28-1/2"	28-1/2"
Height to cooktop (D)	36"	36"	36"
Approximate shipping weight	234 lbs	234 lbs	234 lbs
Volts (Amps) required	110 (15)	110 (15)	110 (15)

CUTOUT DIMENSIONS			
Height (E)	36"	36"	36"
Width (F)	30-1/8"	30-1/8"	30-1/8"
Depth excluding handles (G)	24"	24"	24"
INTERIOR CAVITY OVEN DIMENSIONS			
Upper oven height	8"	8"	8"
Upper oven width	25"	25"	25"
Upper oven depth	18-1/2"	18-1/2"	18-1/2"
Lower oven height	14-7/8"	14-7/8"	14-7/8"
Lower oven width	25"	25"	25"
Lower oven depth	18-1/8"	18-1/8"	18-1/8"

Dimensions shown are for planning purposes only. See Installation Instructions packed with product for complete information.

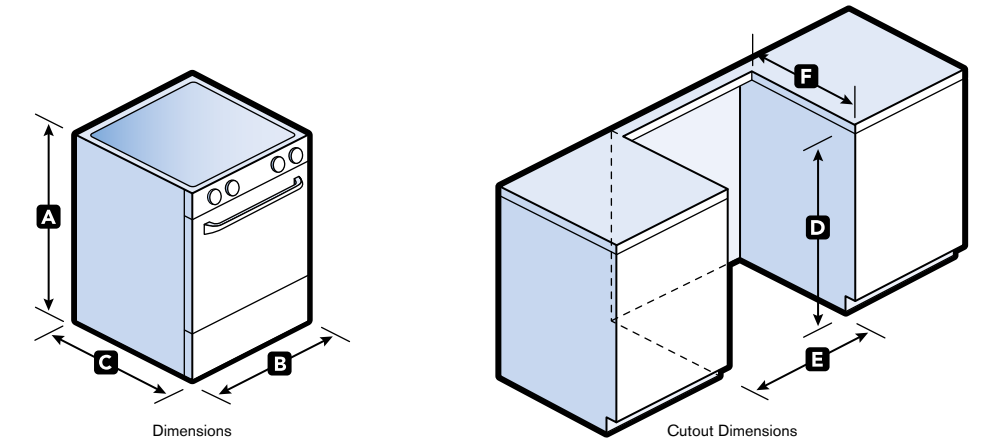
Dimensions shown are for planning purposes only. See Installation Instructions packed with product for complete information.



ELECTRIC MODELS	MER8670A	MER8674A	MER8775A	MER8880A	MIR8890A
DIMENSIONS & SPECIFICATIONS					
Height (A)	46-7/8"	46-7/8"	46-7/8"	46-7/8"	46-7/8"
Width (B)	29-7/8"	29-7/8"	29-7/8"	29-7/8"	29-7/8"
Depth including handle (C)	27-3/4"	27-3/4"	27-3/4"	27-3/4"	27-3/4"
Height to cooktop (D)	36"	36"	36"	36"	36"
Approximate shipping weight	169 lbs	169 lbs	173 lbs	178 lbs	183 lbs
Volts (Amps) required	120/240 or 120/208 (60)	120/240 or 120/208 (60)	120/240 or 120/208 (60)	120/240 or 120/208 (60)	120/240 or 120/208 (60)
Total connected load (KW @240V/208V)	11.8/8.8	12.5/9.4	12.6/9.5	14.4/10.8	14.6/11
CUTOUT DIMENSIONS					
Height (E)	36"	36"	36"	36"	36"
Width (F)	30"	30"	30"	30"	30"
Depth excluding handle (G)	25-5/16"	25-5/16"	25-5/16"	25-5/16"	25-5/16"
INTERIOR CAVITY OVEN DIMENSIONS					
Height	21-3/8"	21-3/8"	21-3/8"	21-3/8"	21-3/8"
Width	24-3/8"	24-3/8"	24-3/8"	24-3/8"	24-3/8"
Depth	20-3/4"	20-3/4"	20-3/4"	20-3/4"	20-3/4"

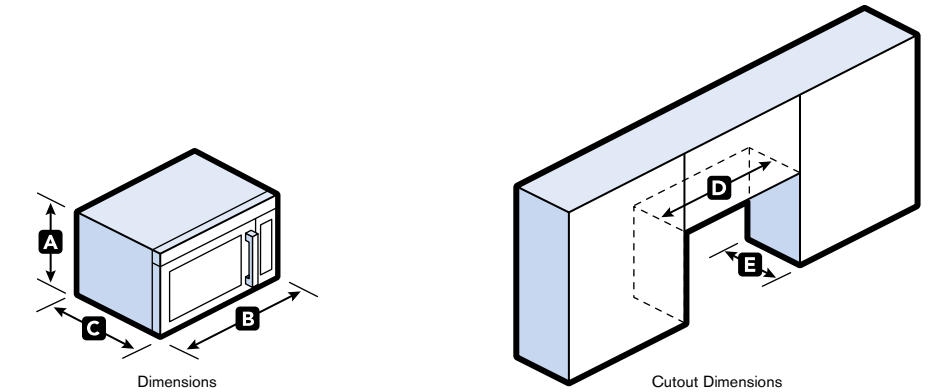
GAS MODELS	MGR685A	MGR8670A	MGR8674A	MGR8775A	MGR8880A
DIMENSIONS & SPECIFICATIONS					
Height (A)	46-1/4"	46-7/8"	46-7/8"	46-7/8"	46-7/8"
Width (B)	29-7/8"	29-7/8"	29-7/8"	29-7/8"	29-7/8"
Depth including handle (C)	26-9/16"	27-3/4"	27-17/32"	27-17/32"	27-17/32"
Height to cooktop (D)	36"	36"	36"	36"	36"
Approximate shipping weight	180 lbs	193 lbs	195 lbs	197 lbs	200 lbs
Volts (Amps) required	120 (15)	120 (15)	120 (15)	120 (15)	120 (15)
CUTOUT DIMENSIONS					
Height (E)	36"	36"	36"	36"	36"
Width (F)	30"	30"	30"	30"	30"
Depth excluding handle (G)	24"	25-7/16"	25-7/16"	25-7/16"	25-7/16"
INTERIOR CAVITY OVEN DIMENSIONS					
Height	18-7/8"	20"	20"	20"	20"
Width	24-1/2"	24-3/8"	24-3/8"	24-3/8"	24-3/8"
Depth	18-1/2"	20-3/4"	20-3/4"	20-3/4"	20-3/4"

Dimensions shown are for planning purposes only. See Installation Instructions packed with product for complete information.



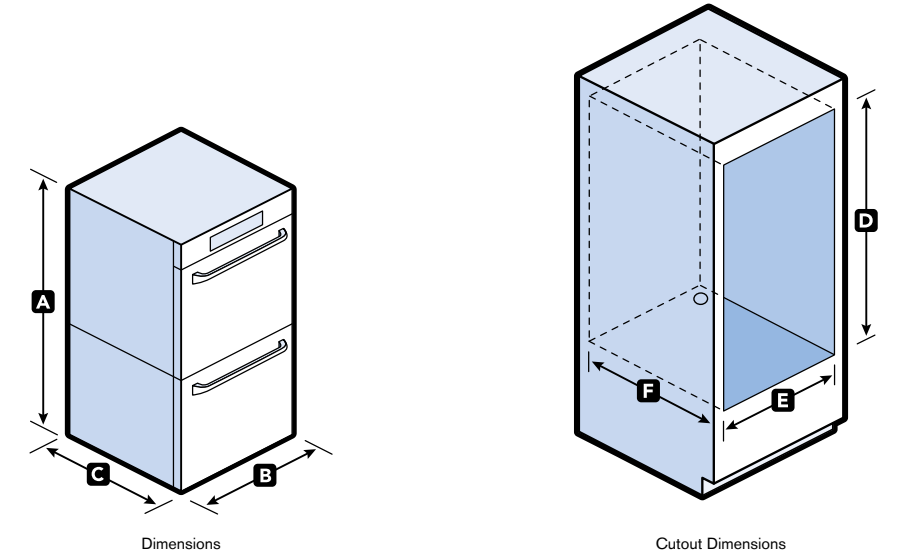
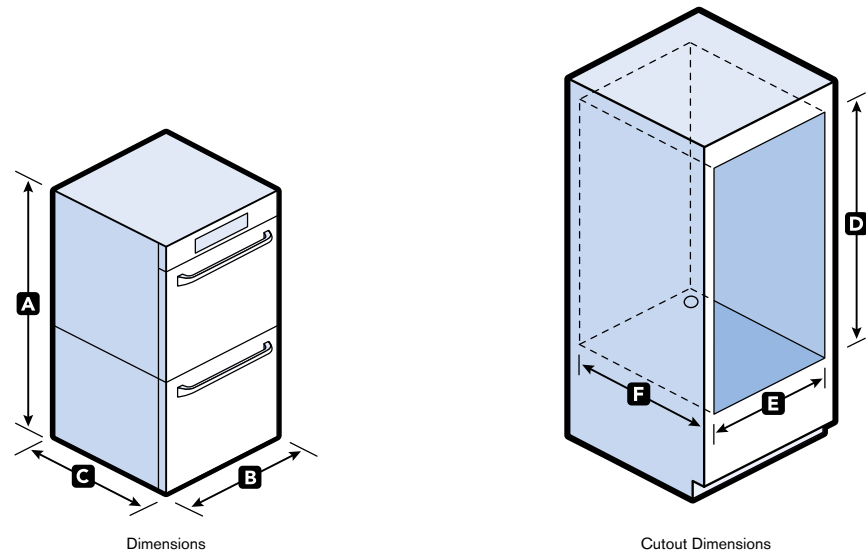
ELECTRIC MODELS	MES5752BA	MES5875BA
DIMENSIONS & SPECIFICATIONS		
Height (A)	36"	36"
Width (B)	30-5/8"	30-5/8"
Depth including handle (C)	28-5/16"	28-5/16"
Approximate shipping weight	195 lbs	195 lbs
Volts (Amps) required	240 (50)	240 (50)
Total connected load (KW @240V)	11.3	11.3
CUTOUT DIMENSIONS		
Height (D)	36"	36"
Width (E)	30"	30"
Depth excluding handle (F)	23-1/4"	23-1/4"

GAS MODELS	MGS5752BD	MGS5875BD
DIMENSIONS & SPECIFICATIONS		
Height (A)	36"	36"
Width (B)	30"	30"
Depth including handle (C)	28-5/16"	28-5/16"
Approximate shipping weight	228 lbs	228 lbs
Volts (Amps) required	120 (15)	120 (15)
CUTOUT DIMENSIONS		
Height (D)	36"	36"
Width (E)	30"	30"
Depth excluding handle (F)	23-1/4"	23-1/4"



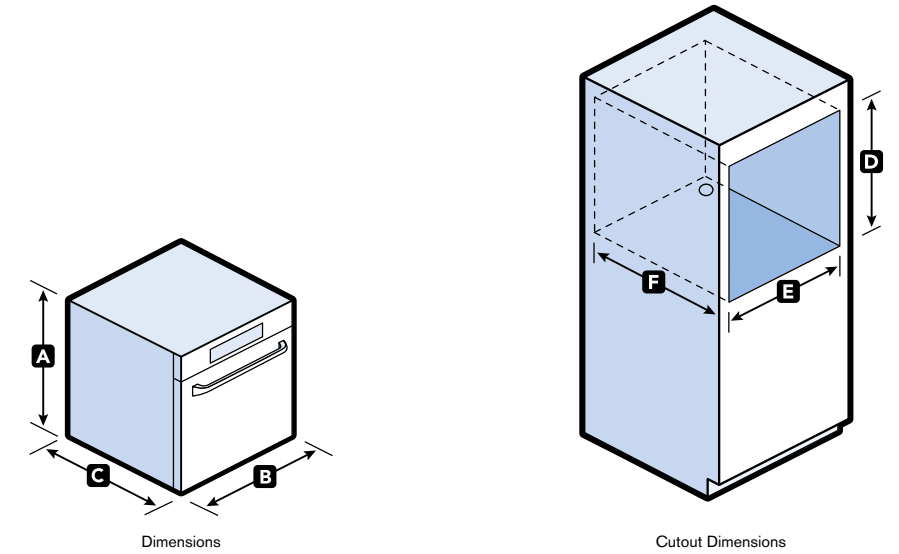
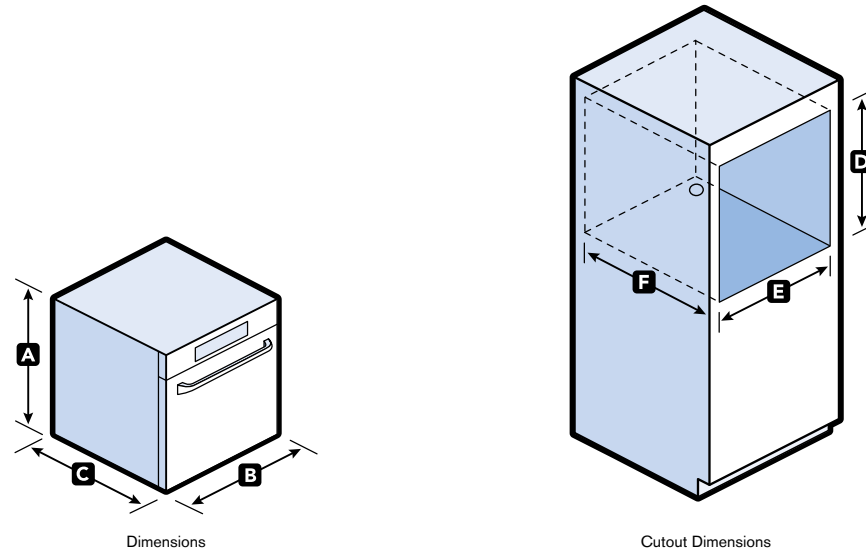
MODELS	MMV1164W	MMV4203W	MMV5208W	MMV6180W	MMV6186W	UMC5165A
DIMENSIONS & SPECIFICATIONS						
Height (A)	17-1/4"	17-1/4"	17-1/4"	17-1/4"	17-1/4"	13"
Width (B)	29-15/16"	29-15/16"	29-15/16"	29-15/16"	29-15/16"	21-3/4"
Depth including handle (C)	17-3/4"	17-3/4"	17-3/4"	17-3/4"	17-3/4"	17-1/4"
Depth excluding handle	16"	16"	16"	16"	16"	17-1/4"
Tray	12-1/4" Diameter	12-1/4" Diameter	15-3/4" W x 13" D	12-1/4" Diameter	12-1/4" Diameter	13-1/2" Diameter
Approximate shipping weight	72 lbs	74 lbs	74 lbs	76 lbs	76 lbs	42 lbs
Volts (Amps) required	120 (15-20)	120 (15-20)	120 (15-20)	120 (15-20)	120 (15-20)	120 (15-20)
CUTOUT DIMENSIONS						
Opening width (D)	30"	30"	30"	30"	30"	-
Opening depth (E)	12"	12"	12"	12"	12"	-

Dimensions shown are for planning purposes only. See Installation Instructions packed with product for complete information.



DOUBLE & COMBINATION MODELS	MEW7627A	MEW7630A	MEW9627A	MEW9630A	MMW9730A
DIMENSIONS & SPECIFICATIONS					
Height (A)	51-3/16"	51-3/16"	51-3/16"	51-3/16"	42-9/16"
Width (B)	27"	30"	27"	30"	30"
Depth including handles (C)	23-1/4"	23-1/4"	23-1/4"	23-1/4"	23-1/4"
Approximate shipping weight	245 lbs	266 lbs	245 lbs	266 lbs	227 lbs
Volts (Amps) required	240/208 (40)	240/208 (40)	240/208 (40)	240/208 (40)	240/208 (40)
Total connected load @ 240 Volts	7.4 kw	7.4 kw	7.4 kw	7.4 kw	5.5 kw
Total connected load @ 208 Volts*	5.6 kw	5.6 kw	5.6 kw	5.6 kw	4.6 kw
CUTOUT DIMENSIONS					
Opening height (D)	48-7/8" - 52-3/16"	48-7/8" - 52-3/16"	48-7/8" - 52-3/16"	48-7/8" - 52-3/16"	41" - 41-1/2"
Opening width (E)	25-1/2"	28-1/2"	25-1/2"	28-1/2"	28-1/2"
Opening depth (F)	24"	24"	24"	24"	24"

DOUBLE & SINGLE WITH BROILER MODELS	CWE5100AC	CWE5800AC	CWG3100AA	CWG3600AA
DIMENSIONS & SPECIFICATIONS				
Height (A)	46-5/16"	46-5/16"	39-1/4"	46-5/16"
Width (B)	23-7/8"	23-7/8"	23-7/8"	23-7/8"
Depth including handles (C)	27-1/4"	27-1/4"	27-1/2"	27-1/2"
Approximate shipping weight	192 lbs	192 lbs	134 lbs	154 lbs
Volts (Amps) required	240/208 (40)	240/208 (40)	120 (15)	120 (15)
Total connected load @ 240 Volts	6.5 kw	6.5 kw	-	-
Total connected load @ 208 Volts*	4.9 kw	4.9 kw	-	-
CUTOUT DIMENSIONS				
Opening height (D)	45-3/8"	45-3/8"	38"	45-3/8"
Opening width (E)	22-3/8"	22-3/8"	22-3/8"	22-3/8"
Opening depth (F)	24"	24"	24"	24"

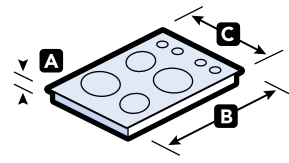


SINGLE MODELS	MEW7527A	MEW7530A	MEW9527A	MEW9530A
DIMENSIONS & SPECIFICATIONS				
Height (A)	28-3/4"	28-3/4"	28-3/4"	28-3/4"
Width (B)	27"	30"	27"	30"
Depth including handle (C)	23-1/4"	23-1/4"	23-1/4"	23-1/4"
Approximate shipping weight	138 lbs	149 lbs	138 lbs	149 lbs
Volts (Amps) required	240/208 (20)	240/208 (30)	240/208 (20)	240/208 (30)
Total connected load @ 240 Volts	2.4 kw	2.4 kw	2.4 kw	2.4 kw
Total connected load @ 208 Volts**	2.8 kw	2.8 kw	2.8 kw	2.8 kw
CUTOUT DIMENSIONS				
Opening height (D)	26-15/16" - 29-7/16"	26-15/16" - 29-7/16"	26-15/16" - 29-7/16"	26-15/16" - 29-7/16"
Opening width (E)	25-1/2"	28-1/2"	25-1/2"	28-1/2"
Opening depth (F)	24"	24"	24"	24"

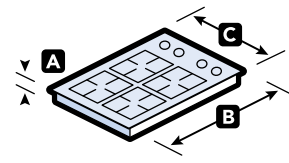
SINGLE MODELS	CWE4100AC	CWE4800AC
DIMENSIONS & SPECIFICATIONS		
Height (A)	29-5/8"	29-5/8"
Width (B)	23-7/8"	23-7/8"
Depth including handle (C)	27-1/4"	27-1/4"
Approximate shipping weight	128 lbs	128 lbs
Volts (Amps) required	240/208 (20)	240/208 (20)
Total connected load @ 240 Volts	5.8 kw	5.8 kw
Total connected load @ 208 Volts*	4.4 kw	4.4 kw
CUTOUT DIMENSIONS		
Opening height (D)	28-11/16"	28-11/16"
Opening width (E)	22-3/8"	22-3/8"
Opening depth (F)	24"	24"

*With FIT system range height. **Optimized for 240V but can work at 208V also. Dimensions shown are for planning purposes only. See Installation Instructions packed with product for complete information.

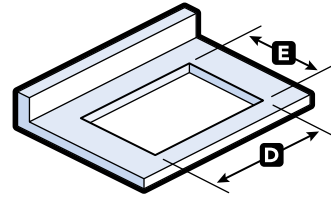
*Optimized for 240V but can work at 208V also. Dimensions shown are for planning purposes only. See Installation Instructions packed with product for complete information.



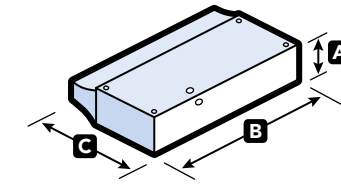
Electric Dimensions



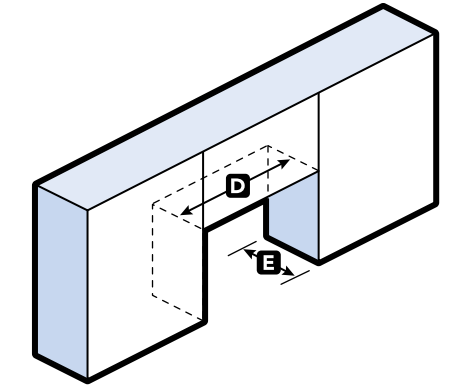
Gas Dimensions



Cutout Dimensions



Dimensions



Cutout Dimensions

ELECTRIC MODELS	MEC4430W	MEC4536W	MEC7430W	MEC7536W	MEC7630W	MEC7636W
DIMENSIONS & SPECIFICATIONS						
Height (A)	3-1/4"	3-1/4"	3-3/4"	3-3/4"	3-3/4"	3-3/4"
Width (B)	30"	36"	30"	35-5/16"	30"	35-5/16"
Depth (C)	21"	21"	21-1/2"	21-1/2"	21-1/2"	21-1/2"
Approximate shipping weight	46 lbs	54 lbs	46 lbs	54 lbs	46 lbs	54 lbs
Volts (Amps) required	240/208 (40)	240/208 (40)	240/208 (40)	240/208 (37.5)	240/208 (40)	240/208 (37.5)
CUTOUT DIMENSIONS						
Opening width (D)	28-5/16"	34-7/8"	29-1/16"	34-9/16"	29-1/16"	34-9/16"
Opening depth (E)	19-13/16"	19-13/16"	20-3/8"	20-3/8"	20-3/8"	20-3/8"

GAS MODELS	MGC4430BD	MGC4436BD	MGC7430W	MGC7536W	MGC7630W	MGC7636W
DIMENSIONS & SPECIFICATIONS						
Height (A)	3-13/16"	3-13/16"	3-13/16"	3-13/16"	3-13/16"	3-13/16"
Width (B)	29-1/2"	36"	29-1/2"	36"	30"	36"
Depth (C)	21-1/2"	21"	21-1/2"	21"	21-1/2"	21"
Approximate shipping weight	55 lbs	54 lbs	46 lbs	54 lbs	46 lbs	54 lbs
Volts (Amps) required	120 (10)	120 (10)	120 (10)	120 (10)	120 (10)	120 (15)
CUTOUT DIMENSIONS						
Opening width (D)	28-1/2"	34-1/2"	28-1/2"	34-1/2"	28-1/2"	34-1/2"
Opening depth (E)	19-15/16"	19-15/16"	19-15/16"	19-15/16"	19-15/16"	19-15/16"

30" UNDER CABINET HOODS	UXT2030AY	UXT3030AY	UXT4030AY	UXT4230AY	UXT5230AY	UXT5530AA
DIMENSIONS & SPECIFICATIONS						
Height (A)	5"	5"	5"	5"	5"	9"
Width (B)	30"	30"	30"	30"	30"	30"
Depth (C)	18-5/8"	18-5/8"	18-5/8"	18-5/8"	18-5/8"	19-7/10"
Minimum mounting height/rise (above cooking surface or countertop)	18"	18"	18"	18"	18"	24"
Approximate shipping weight	12 lbs	12 lbs	11 lbs	13 lbs	22 lbs	37 lbs
Volts (Amps) required	120 (15)	120 (15)	120 (15)	120 (15)	120 (15)	120 (15)
CUTOUT DIMENSIONS						
Width (D)	30"	30"	30"	30"	30"	30"
Depth (E)	11-1/8"	11-1/8"	11-1/8"	11-1/8"	11-1/8"	19-7/10"

36" UNDER CABINET HOODS	UXT2036AY	UXT3036AY	UXT4036AY	UXT4236AY	UXT5236AY	UXT5536AA
DIMENSIONS & SPECIFICATIONS						
Height (A)	5"	5"	5"	5"	5"	9"
Width (B)	36"	36"	36"	36"	36"	36"
Depth (C)	18-5/8"	18-5/8"	18-5/8"	18-5/8"	18-5/8"	12"
Minimum mounting height/rise (above cooking surface or countertop)	18"	18"	18"	18"	18"	24"
Approximate shipping weight	12 lbs	13 lbs	14 lbs	15 lbs	23 lbs	42 lbs
Volts (Amps) required	120 (15)	120 (15)	120 (15)	120 (15)	120 (15)	120 (15)
CUTOUT DIMENSIONS						
Width (D)	36"	36"	36"	36"	36"	36"
Depth (E)	11-1/8"	11-1/8"	11-1/8"	11-1/8"	11-1/8"	12"

NOTE: Ducting configuration and length can affect airflow rates. Ratings shown are based on kitchen hoods with correctly installed ducting.

30" DOWNDRAFT VENT	UXD8630DY	UXD8636DY
DIMENSIONS & SPECIFICATIONS		
Height (A)	29"	29"
Width (B)	30"	36"
Depth (C)	12-1/8"	12-1/8"
Rise above countertop	14"	14"
Approximate shipping weight	93 lbs	102 lbs
Volts (Amps) required	120 (15)	120 (15)

NOTE: See Use & Care Guide for cutout dimensions.

HOOD LINERS	UXL5430BS	UXL6036YS	UXL6048YS
DIMENSIONS & SPECIFICATIONS			
Height (A)	13-5/8"	11-1/2"	11-1/2"
Width (B)	30"	35-7/8"	47-7/8"
Depth (C)	11-7/8"	22"	22"
Minimum mounting height (above cooking surface)	24"	24"	24"

NOTE: See Use & Care Guide for cutout dimensions.

Dimensions shown are for planning purposes only. See Installation Instructions packed with product for complete information.

Dimensions shown are for planning purposes only. See Installation Instructions packed with product for complete information.



GREAT FUTURES START **HERE.**

Providing dependability is a Maytag brand promise that not only applies to our products but to the community, too. That's why we're proud supporters of the Boys & Girls Clubs of America. As an organization that focuses on strengthening the character of young people, we're honored to have developed a dependable partnership that has a positive impact throughout the country. In 2012, Maytag brand will again recognize those Boys & Girls Clubs that are commendable in their performance with a Maytag® Dependable Club award so that they may establish long-lasting improvements and continue to provide the promise of dependability.



**BOYS & GIRLS CLUBS
OF AMERICA**



SCAN TO LEARN MORE

Product support & warranty information

At Maytag brand, we are continuously improving and innovating products, so the specifications in this catalog are subject to change.

Parts and Labor Warranty

For one (1) year from the original retail purchase date. See Use and Care Guide for details.

If You Need Service

First, see the Troubleshooting section in your Use and Care Guide, or call the dealer from whom your appliance was purchased. Or, call Maytag Services LLC Customer Assistance at 1-800-462-9824 or 1-800-807-6777 (Canada) to locate an authorized dealer.

Maytag Customer Experience Center

We want everything about your experience with Maytag brand to exceed your expectations. The Maytag Customer Experience Center is one way we hope to satisfy you. Got a question, comment or concern?

Please contact us at:

Phone 1-800-462-9824
Monday-Friday, 8 a.m. – 8 p.m. (ET)
Saturday, 10 a.m. – 3 p.m. (ET)



WHAT'S INSIDE MATTERS™



WHAT'S INSIDE MATTERS™

maytag.com

PUR® is a trademark of, in the U.S.A., PUR Water Purification Products, Inc., and in Canada, Helen of Troy Limited, and used under license.
®/™ ©2013 Maytag. All rights reserved. All other trademarks are owned by their respective companies. MYA13548